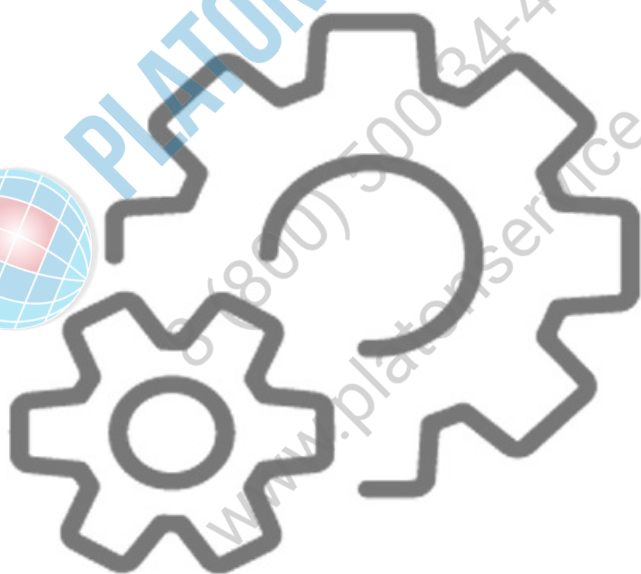


cod.DW091

**Catalogo ricambi
Spare parts catalog
Catalogue de pièces détachées
Ersatzteilkatalog
Catálogo de repuestos
Catálogo de peças de reposição
Каталог запасных частей**

data:31/07/2023

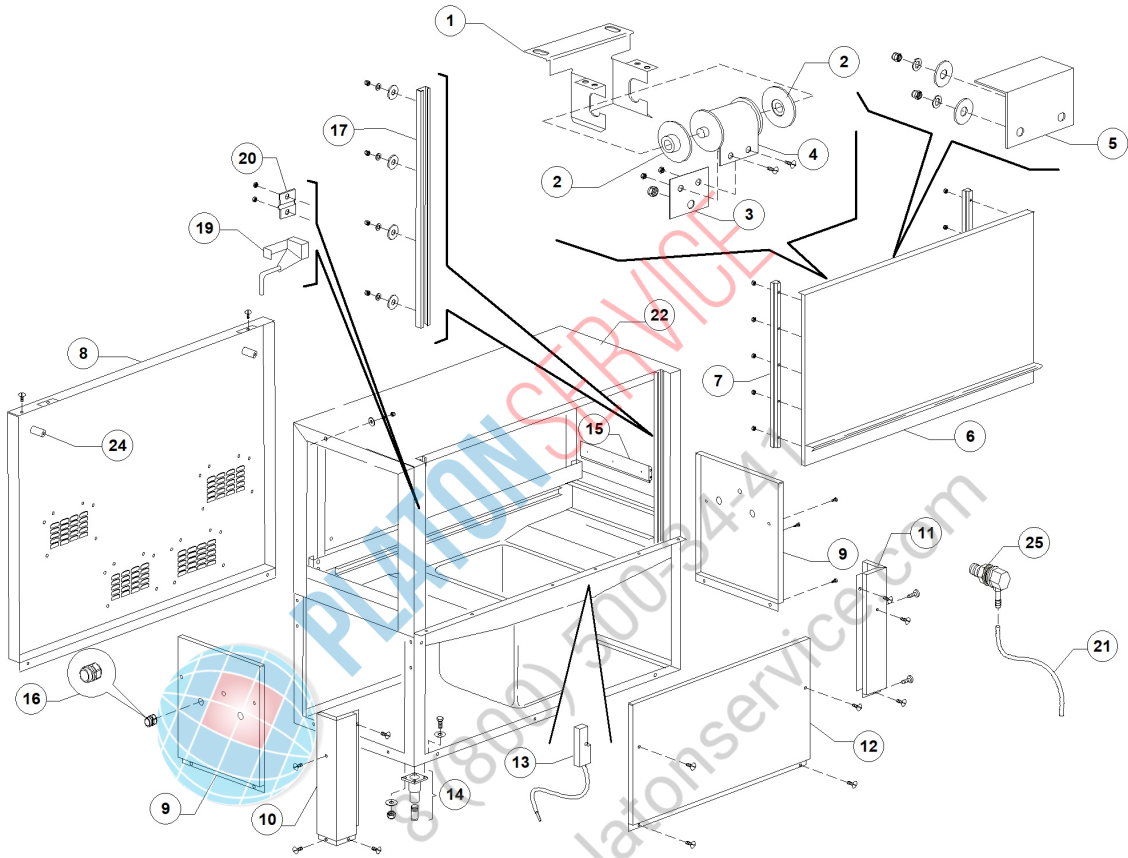
AX161 EL SX XP LC70 LC71 400V3N50HZ



S/N:DWF1019792

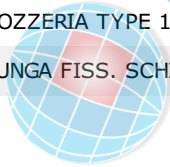


AX161 EL SX XP LC70 LC71 400V3N50HZ - DWF1019792 - General body parts (1) - DW091



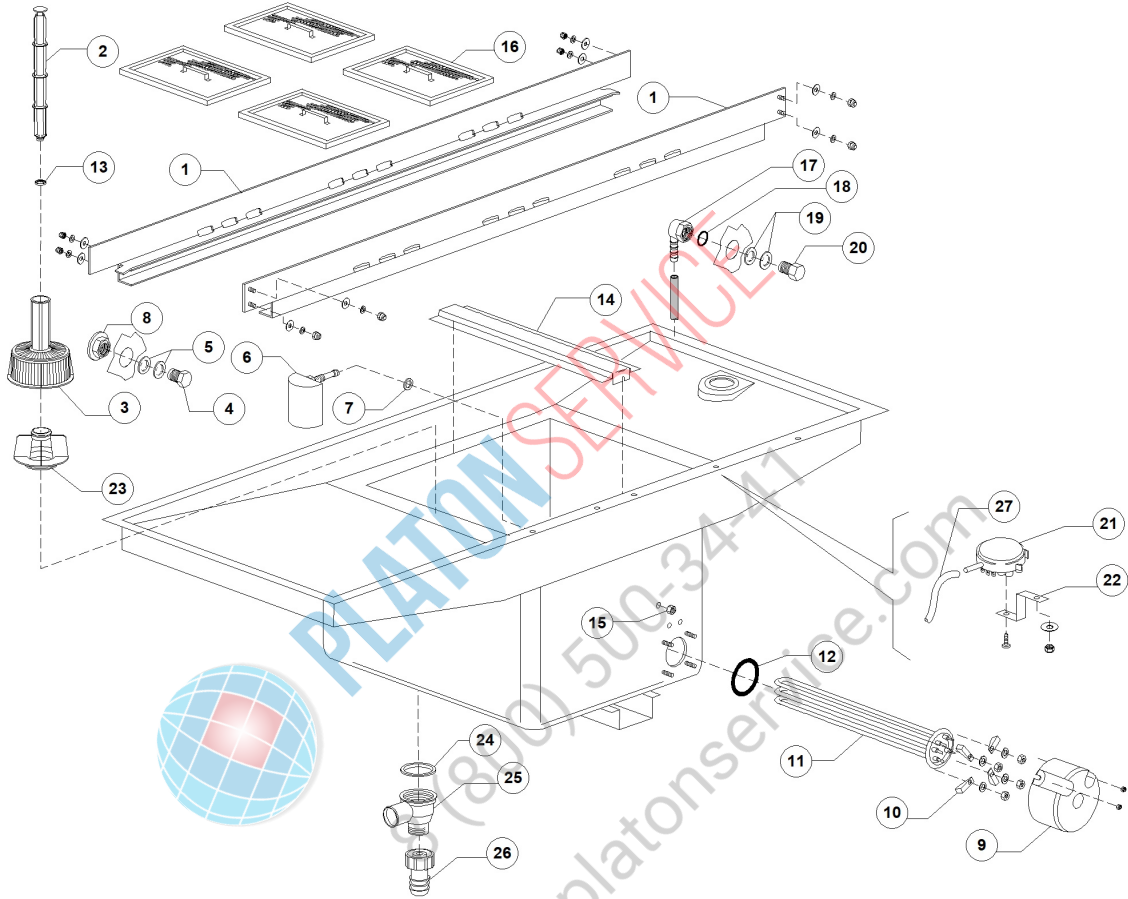
AX161 EL SX XP LC70 LC71 400V3N50HZ - DWF1019792 - General body parts (1) - DW091

Pos.	Code	Descrizione	Description
1	DW3009664	#STAFFA SUP.MOLLA BBSR21/23 2003 (N)	SPRING SUPPORT BRACKET BBSR21/23 2003
2	DW3004012	SPALLA SUPPORTO MOLLA PORTA	SPRING HOLDER
3	DW3009555	#PIASTRINA FIX MOLLA TRAINO AX151	SPRING CLAMPING PLATE
4	DW3004010	MOLLA INOX PER PORTA MOD. BBSR21	DOOR SPRING BBSR21
5	DW3009269	#SQ.FINE CORSA PORTA	DOOR STOP
6	DW391040	#ASSIEME PORTA TYPE 91 COMPLETA	COMPLETE DOOR ASSEMBLY TYPE 91
7	DW75304	PATTINO SCORRIMENTO CAPOTTA L600	HOOD SLIDING GUIDE L600
8	DW391022	SCHIENALE TYPE 91(4x 3071286)	BACK PANEL TYPE 91 (4X3071286)
9	DW391021	SOTTOPORTA LAT. DX /SX TYPE 91-92	LATERAL FRONT PANEL TYPE 91/92
10	DW391018	ANGOLO SOTTOPORTA DX TYPE 91-92	RIGHT ANGLE FRONT PANEL
11	DW391019	ANGOLO SOTTOPORTA SX TYPE 91-92	LEFT ANGLE FRONT PANEL
12	DW391020	SOTTOPORTA ANTERIORE TYPE 91	FRONT PANEL TYPE 91
13	DW10778	MICROCONTATTO MAGNETICO REED	DOOR MICROSWITCH
14	DW80116	"PIEDINO 2" REG. 112-215 A304"	"ADJUSTABLE FOOT 112-215 2"
15	DW391023	SPONDINA LATERALE TYPE 91	SIDE BOARD TYPE 91
17	DW391039	#GUIDA PATTINO PORTA TYPE 91-92	SLIDEWAYS TYPE 91-92
19	DW3000315	GANCIO SICUREZZA PORTA FX/CX	SAFETY DOOR HOOK
20	DW3000314	STAFFA SICUREZZA PORTA FX/CX	DOOR SAFETY BRACKET
21	DW14503	TUBO PVC DIAM.6x4 TRASPARENTE	D.6X4 PVC TRANSPARENT HOSE
22	DW391017	CARROZZERIA TYPE 161	BODYWORK
24	DW391081	PROLUNGA FISS. SCHIENALI TYPE 91-92	FIXING BACKS EXTENSION



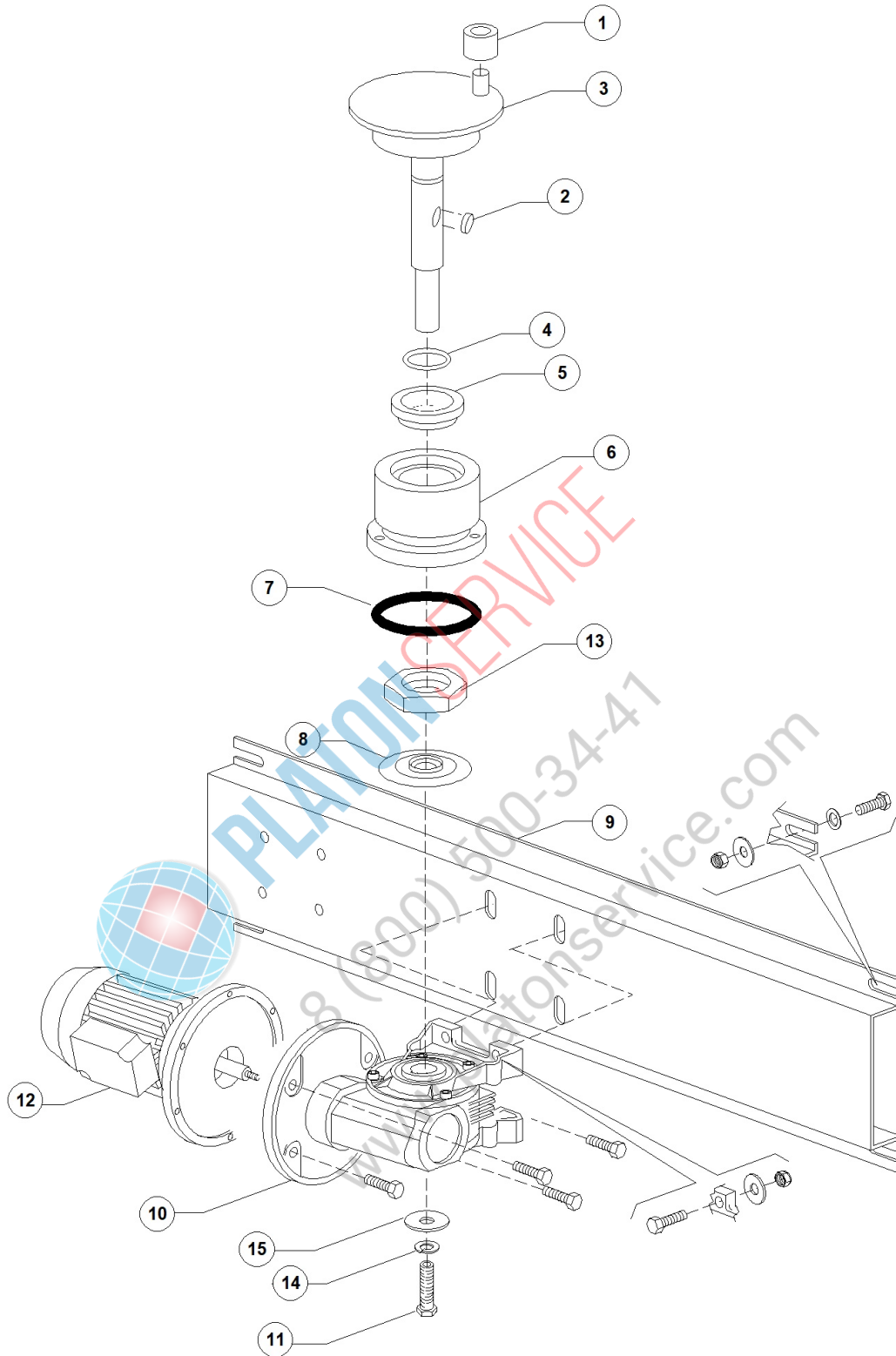
8 (800) 500-3447
 www.platonservice.com

AX161 EL SX XP LC70 LC71 400V3N50HZ - DWF1019792 - General body parts (2) - DW091



AX161 EL SX XP LC70 LC71 400V3N50HZ - DWF1019792 - General body parts (2) - DW091

Pos.	Code	Descrizione	Description
1	DW391043	PIEG. GUIDACESTO TYPE 91	BASKET-SLIDE BAR
2	DW11600102	TROPPO PIENO G12/03	OVERFLOW PIPE G12/03
3	DW500599	FILTRO ASPIR. CON PROLUNGA	SUCTION FILTER
4	DW391077	"TAPPO G3/8" PLASTICA (min 5 pz)"	PLASTIC G3/8 PLUG (MIN. 5 PCS)
5	DW391079	"GUARN. G3/8" (per 391078-7) (min 5 pz)"	G3/8 GASKET
6	DW135911	ASSIEME GABBIA D'ARIA GRIGIA L90	GREY AIR TRAP ASSEMBLY L90
7	DW13301	GUARNIZ. IN FASIT 202 D14x8x1,5	O-RING ROLMART D14X8X1,5
8	DW391078	"GHIERA G3/8" PLASTICA (min 5 pz)"	"PLASTIC RING NUT G3/8" (MIN. 5 PCS)"
9	DW75311	CUFFIOTTO PER RESISTENZA 26/03/97	HEATING ELEMENT COVER
10	DW16045	STAFFE FISSAGGIO RESIST.FORO 6.3	HEATING ELEMENT MOUNTING BRACKET D.6,3
11	DW30001011	RESIST.9000/9800W 230/240V 3	9000/9800W 230/240V 3 HEATING ELEM.
12	DW13015	GUARNIZIONE 6225 OR 160 NBR	6225 O-RING 160 NBR
13	DW13021	GUARNIZIONE DEM 40 PER TROPPOPP. GS	OVERLOW PIPE GASKET DEM 40 (MIN. 2 PCS)
14	DW93509	TRAVERSO CENTR.SUPP.FILTRO P4S8	CENTRAL TRANSVERS.SUPP.FOR FILTER P4S8
15	DW11702	DADO M8 INOX UNI5588 DIN934	S/S NUT M8 DIN934 (MIN. 20 PCS)
16	DW11600907	FILTRO VASCA POS. G12/03 & 11/03	TANK BACK FILTER
17	DW3003129	GOMITO PORTAGOMMA 12 - G3/8	ELBOW HOSE-CONNECTION 12 G3/8
18	DW3003130	GUARNIZIONE OR 123 NBR	O-RING 123 NBR
19	DW3009387	RONDELLA GOMITO CARICO	LOADING ELBOW WASHER
20	DW3003128	GOMITO DI CARICO G3/8	LOADING ELBOW G3/8
21	DW88110	PRESSOSTATO 250-40	PRESSURE SWITCH 250-40
22	DW3009363	SUPPORTO PRESSOSTATO	PRESSURE-SWITCH SUPPORT
23	DW500615	GHIERA CON INNESTO FILTRO MOD.50	FERRULE FOR FILTER CLUTCH
24	DW80208	GUARNIZIONE RAMPA LP2 DIAM.95X75X3	RISER GASKET D.95X75X3 (MIN. 2 PCS)
25	DW500603	POZZETTO SCARICO CON FILETTO	SCRAP TRAY
26	DW15613/A	"PORTAGOMM.SCARICO 1"1/4X32 DRITTO"	"STRAIGHT HOSE CONNECTOR 1"1/4X32"
27	DW14508	TUBO EPDM 4.5X9 PER PRESSOSTATO	EPDM HOSE 4.5X9 FOR PRESSURE SWITCH



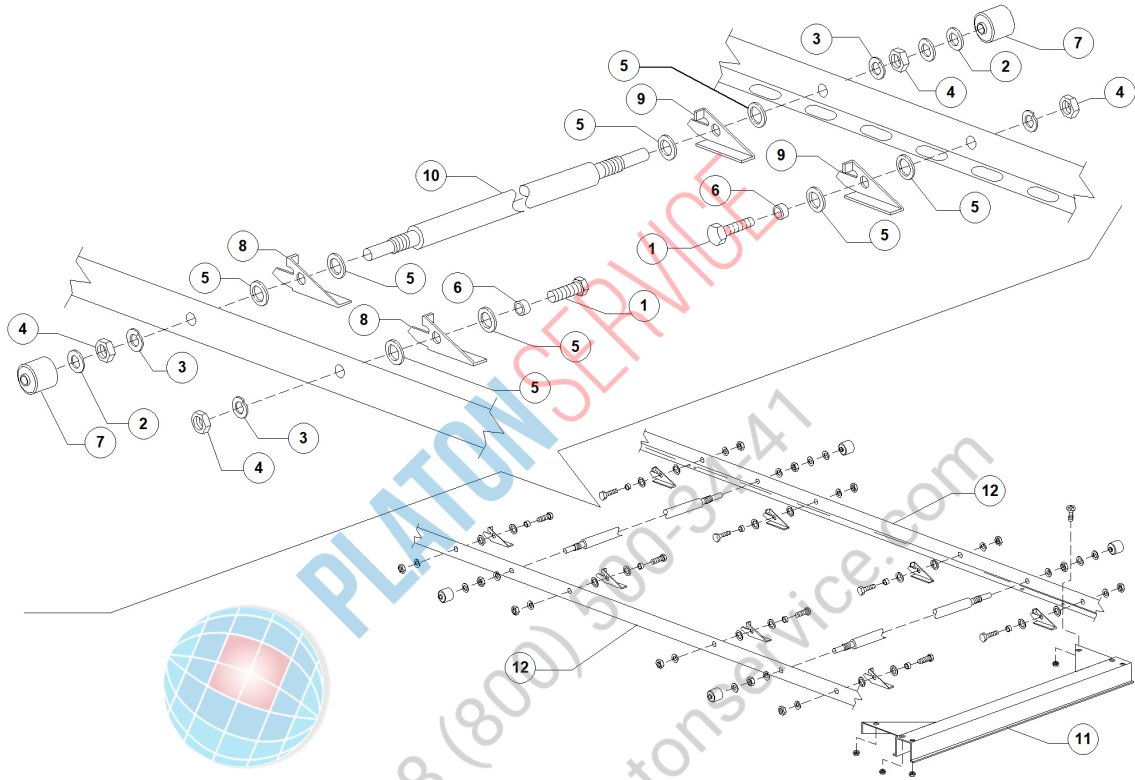
AX161 EL SX XP LC70 LC71 400V3N50HZ - DWF1019792 - Motorgear components - DW091

Pos.	Code	Descrizione	Description
1	DW3003012	RULLINO PER ECCENTRICO	ROLLER FOR ECCENTRIC
2	DW2001046	CHIAVETTA 8X7X30 INOX	S/S FLAT KEY 8X7X30
3	DW3003116	ASSIEME ALBERO LUNGO CON ECC. '99	ECCENTRIC SHAFT
4	DW13023	GUARNIZ. OR 131 (4093)	O-RING 131 (4093) GASKET
5	DW13021	GUARNIZIONE DEM 40 PER TROPPOPP. GS	OVERFLOW PIPE GASKET DEM 40 (MIN. 2 PCS)
5	DW13024	PARAOLIO DEM40 TC30X42X7 MOLLA INOX	OIL SPLASH GUARD DEM 40 TC 30X42X7
6	DW3004131	BOCCOLA ALBERO RIDUT. AX	ECCENTRIC SHAFT BUSH
7	DW13015	GUARNIZIONE 6225 OR 160 NBR	6225 O-RING 160 NBR
8	DW3004161	DISCO ANTIGOCCIA PER ASSE MOTORIDUT	MOTOR GEAR SHAFT PROTECTION DISK
9	DW391024	SUPPORTO MOTORID. TYPE 91-92	GEARMOTOR SUPPORT
10	DW3000210	#RIDUT. TRAINO LIMIT. 1:80 DESTRO	R 1:80 REDUCTION GEAR CONVEYOR MACHINES
11	DW11165	VITE INOX M8X40 TE DIN933	M8X40 TE S/S SCREW
12	DW3000107	MOTORE 6/8P 400V 50Hz RIDOTTO	MOTOR 6/8P 400V 50HZ
13	DW3004183	DADO PER BOCCOLA COD.3004131-32	FERRULE FASTENING NUT
14	DW11609	RONDELLA GROWER M8 INOX DIN127	M8 S/S GROWER WASHER DIN127
15	DW11186	RONDELLA 8X24 PIANA INOX DIN9021	8X24 S/S PLANE WASHER DIN902



PLATON SERVICE
 8 (800) 500-34-47
 www.platonservice.com

AX161 EL SX XP LC70 LC71 400V3N50HZ - DWF1019792 - Conveyor - DW091

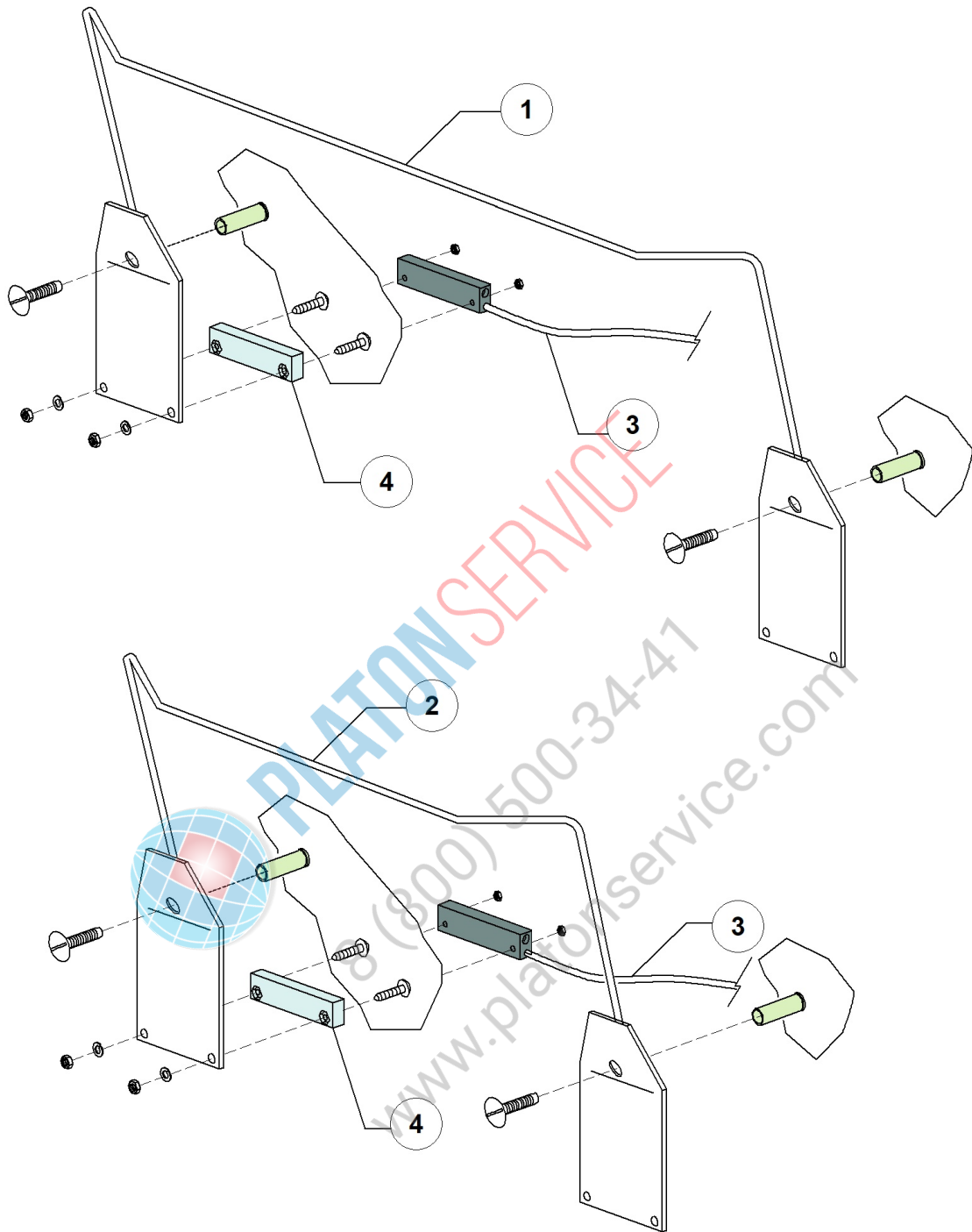


AX161 EL SX XP LC70 LC71 400V3N50HZ - DWF1019792 - Conveyor - DW091

Pos.	Code	Descrizione	Description
1	DW11109	VITE INOX M10x20 TE DIN933	M10X20 TE S/S SCREW DIN933
2	DW11185	RONDELLA 8X16 PIANA INOX DIN125	8X16 S/S PLANE WASHER DIN125
3	DW11192	RONDELLA GROWER M10 INOX DIN 127B	M10 S/S GROWER WASHER DIN127B
4	DW11719	DADO M10 INOX DIN 934	S/S NUT M10 DIN934
5	DW3003024	RONDELLA CARRELLO 19X12X1 PTFE	WASHER 19X12X1 PTFE
6	DW3003025	BOCCOLA DIST. CARRELLO 11,7X10X6 IN	SPACER FOR CARRIAGE 11,7X10X6
7	DW3003026	BOCCOLA RULLINO DIST. CARRELLO DELR	SPACER FOR CARRIAGE
8	DW3003100	SALTARELLO INOX DX	RIGHT S/S PAWL
9	DW3003101	SALTARELLO INOX SX	LEFT S/S PAWL
10	DW3003010	ASSE TRAVERSO PER CARRELLO	CARRIAGE SPACING AXLE
11	DW391014	OMEGA GUIDA ECCENTRICO TYPE 91-92 (N)	GUIDE
12	DW391048	PIEG. TELAIO CARRELLO TYPE 91	MOBILE FRAME TYPE 91



PLATON SERVICE
 8 (800) 500-34-41
www.platonservice.com



AX161 EL SX XP LC70 LC71 400V3N50HZ - DWF1019792 - Economizer - DW091

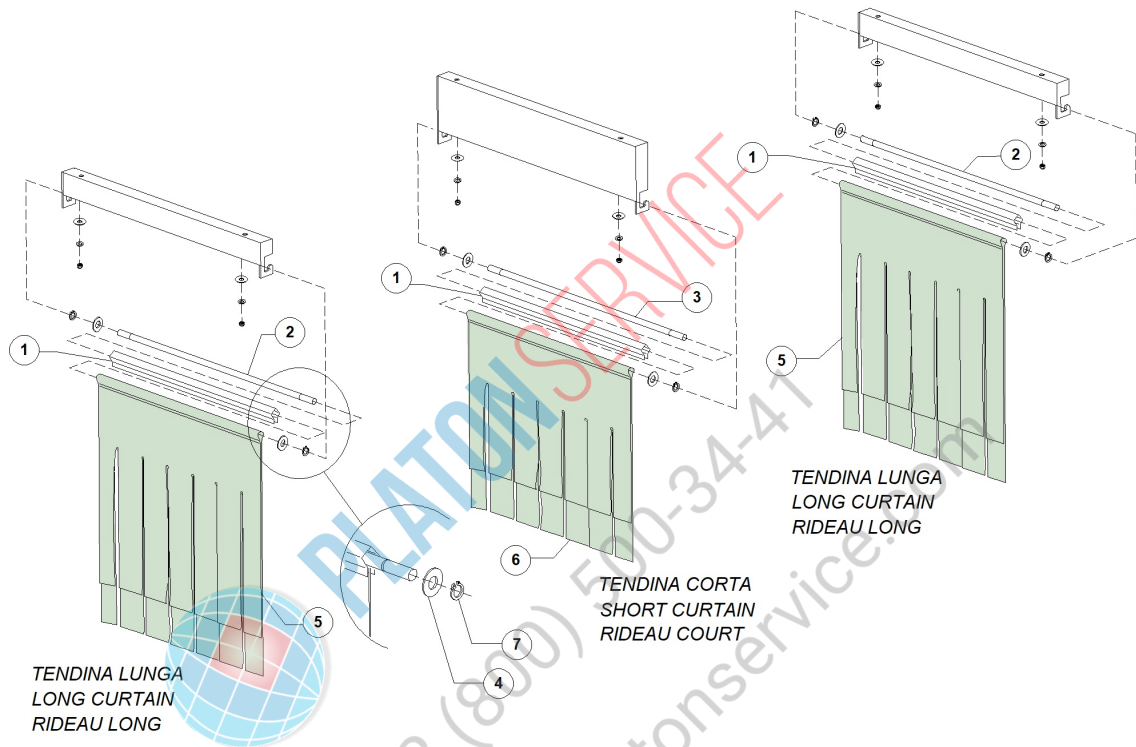
Pos.	Code	Descrizione	Description
1	DW391044	ECONOMIZZATORE LAVAGGIO TYPE 91	WASH ECONOMIZER TYPE 91
2	DW391047	ECONOMIZZATORE RISCIAQUO TYPE 91-92	RINSE ECONOMIZER TYPE 91/92
3	DW10778	MICROCONTATTO MAGNETICO REED	DOOR MICROSWITCH
4	DW391046	MAGNETE M303NCCANE32 ECON. TYPE 91-92	MAGNETIC UNIT



PLATON SERVICE

8 (800) 500-34-41

www.platonservice.com



AX161 EL SX XP LC70 LC71 400V3N50HZ - DWF1019792 - Curtain - DW091

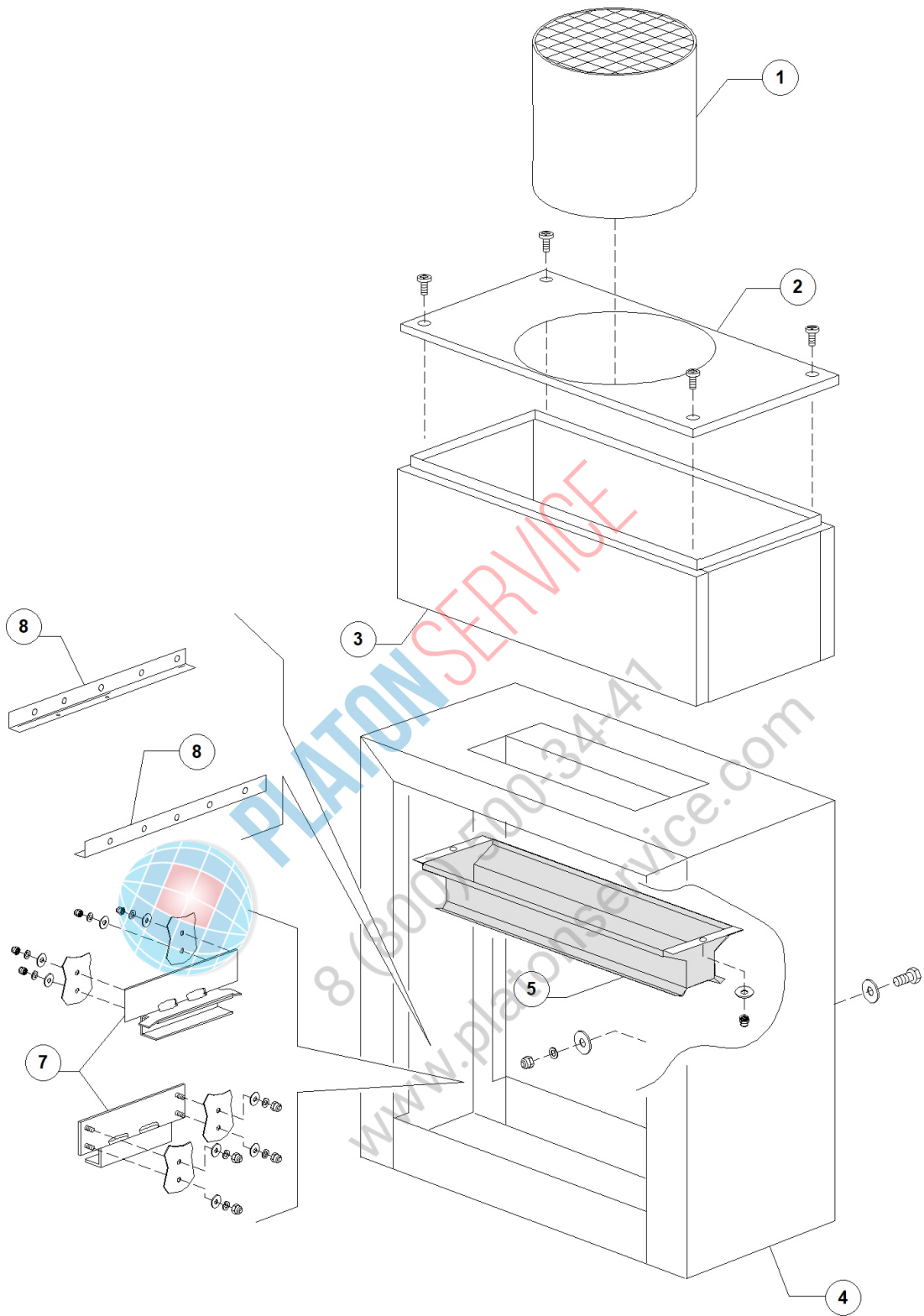
Pos.	Code	Descrizione	Description
1	DW3009109	#PROFILO PER TENDINA	#CURTAIN MOULDING
2	DW3004052	ASTA SOSTEGNO PER TENDA INTERNA	INNER CURTAIN ROD
3	DW391038	ASTA SOST. PER TENDA INT. TYPE 91-92	INNER CURTAIN ROD
4	DW11185	RONDELLA 8X16 PIANA INOX DIN125	8X16 S/S PLANE WASHER DIN125
5	DW3004051	#TENDINA PARASPRUZZI INTERNA (3071072)	#SPLASH GUARD INTERNAL (3071072)
6	DW391037	TENDINA PAR. INTERNA CORTA TYPE 91-92	INNER SHORT CURTAIN TYPE 91-92
7	DW11815	SEEGER DIAM.8 INOX UNI7435	SNAP RING D.8 S/S



PLATON SERVICE

8 (800) 500-34-41

www.platonservice.com



AX161 EL SX XP LC70 LC71 400V3N50HZ - DWF1019792 - Splash guard L=300 - DW091

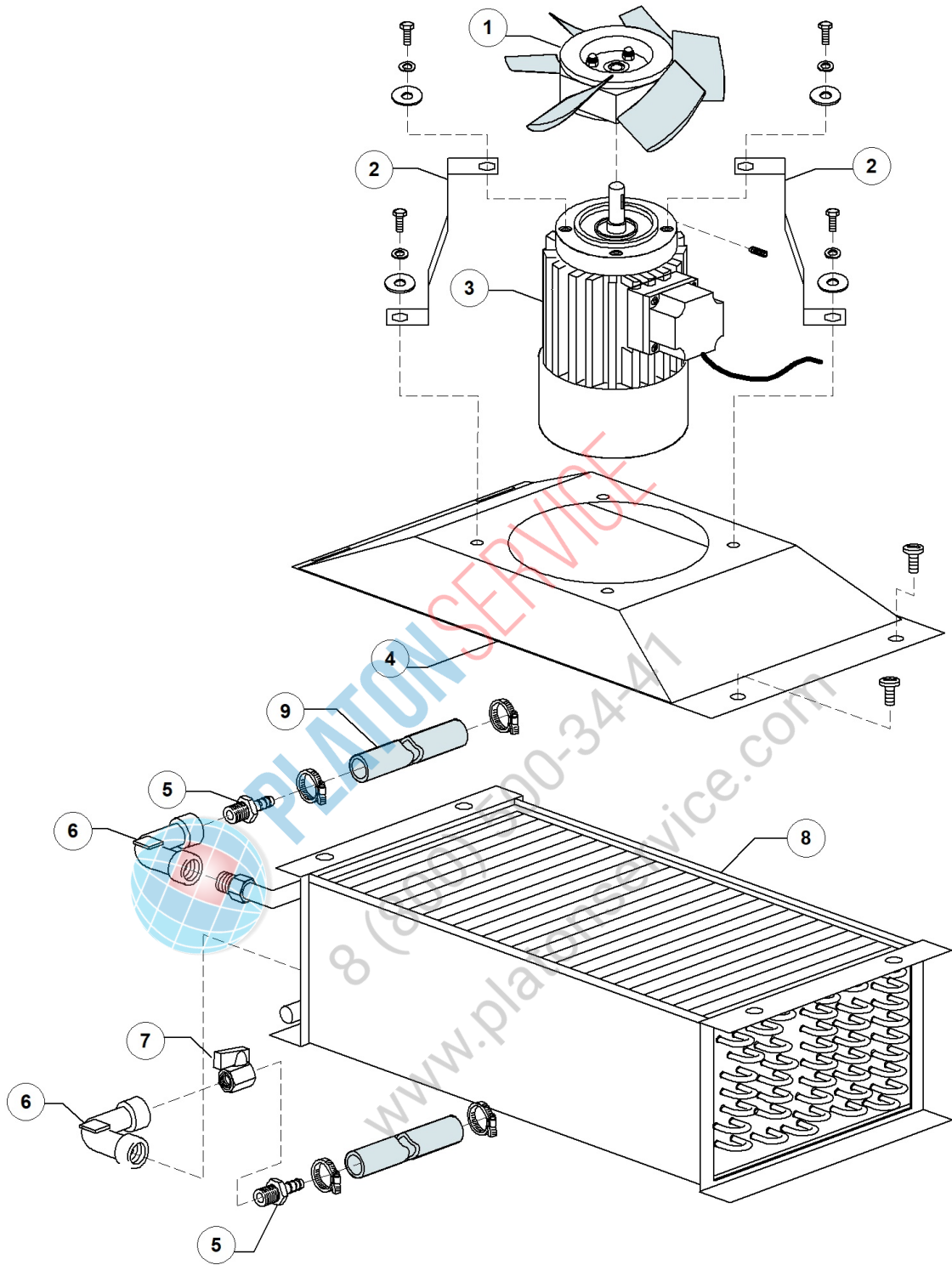
Pos.	Code	Descrizione	Description
1	DW3009573	#ASSIEME CAMINO LC-81	CHIMNEY ASSEMBLY LC81
2	DW392035	COPERCHIO CONDENSA VAPORI	
3	DW392034	ASSIEME CARTER SUP. CONDENSA VAPORI	
4	DW392030	ASSIEME PARASPRUZ CONDENSA VAPORI (N)	
5	DW3009543	GRUPPO ASPIRAZIONE LC81	SUCTION ASSEMBLY
7	DW392029	ASS. GUIDACESTO PAR. CONDENSA VAPORI	STEAM CONDEN.SPLASH GUARD BASKET GUIDE
8	DW391058	TELAIO MOBILE ASCIUG. TYPE 91-92	MOBILE FRAME DRYER TYPE 91-92
8	DW391059	TELAIO MOBILE CONDENSA TYPE 91-92	MOBILE FRAME STEAM CONDENSER TYPE 91-92



PLATON SERVICE

8 (800) 500-34-47

www.platonservice.com



AX161 EL SX XP LC70 LC71 400V3N50HZ - DWF1019792 - Heat recovery/Steam condenser - DW091

Pos.	Code	Descrizione	Description
1	DW3000124	#VENTOLA GIRANTE MW 188/6/40	IMPELLER FAN
1	DW3000125	#VENTOLA TR018 SERIE 2000 250/3/40	IMPELLER FAN
2	DW3009551	#STAFFA SOSTEGNO MOTORE LC 81	MOTOR HOLDER
3	DW3000123	#MOTORE COND. 0,12KW 2P 230/400V 50H	MOTOR 2P 0,12KW 230/400V 50HZ
4	DW3009583	#ASSIEME BASE ASPIRA VAPORI LC81	STEAM CONDENSER BASE
5	DW12023	PORTAGOMMA M 1/2 diam 12 PG260	HOSE CONNECTOR 10 M1/2 PG260
6	DW3002139	"#OMITO F/F 1/2"	ELBOW
7	DW3002140	RUBINETTO FF 1/2	FF 1/2 WATER VALVE
8	DW3000155	BATTERIA TRAINO CONDENSA VAPORI LC	STEAM CONDENSER COIL LC
9	DW2907350	TUBO GOMMA EPDM 12X20	12X20 EPDM RUBBER PIPE

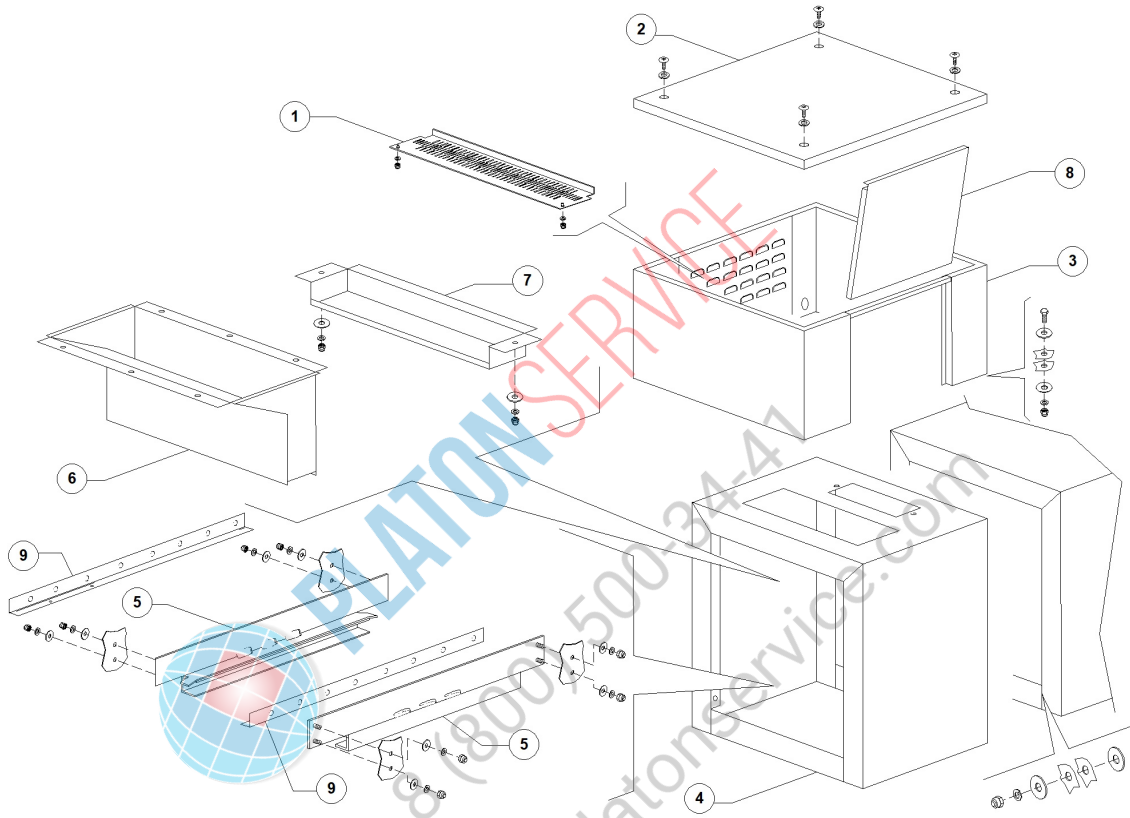


PLATON SERVICE

8 (800) 500-34-41

www.platonservice.com

AX161 EL SX XP LC70 LC71 400V3N50HZ - DWF1019792 - Drying (1) - DW091



AX161 EL SX XP LC70 LC71 400V3N50HZ - DWF1019792 - Drying (1) - DW091

Pos.	Code	Descrizione	Description
1	DW392021	LAMIERA PROTEZIONE ASCIUGATURA	
2	DW392024	#COPERCHIO ASCIUGATURA	
3	DW392026	#ASSIEME CARTER SUP. ASCIUGATURA	
4	DW392020	#ASSIEME PARASPRUZZI ASCIUGATURA	
5	DW392019	ASS. GUIDACESTO PAR. ASCIUGATURA	DRYER SPLASH GUARD BASKET GUIDE
6	DW392037	#ASS. TRAMOGGIA ASCIUGATURA TYPE 91-92	
8	DW392023	#PORTA ANTERIORE CARTER ASCIUGATURA	
9	DW391058	TELAIO MOBILE ASCIUG. TYPE 91-92	MOBILE FRAME DRYER TYPE 91-92

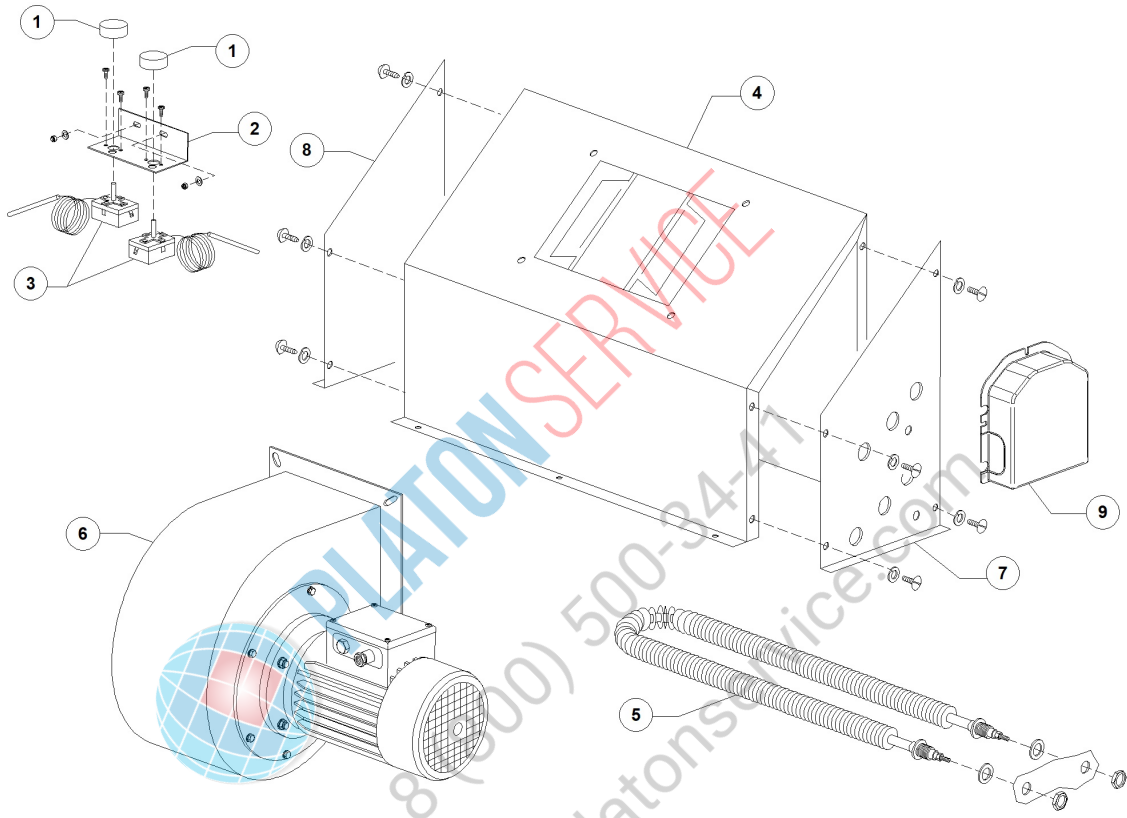


PLATON SERVICE

8 (800) 500-34-41

www.platonservice.com

AX161 EL SX XP LC70 LC71 400V3N50HZ - DWF1019792 - Drying (2) - DW091



AX161 EL SX XP LC70 LC71 400V3N50HZ - DWF1019792 - Drying (2) - DW091

Pos.	Code	Descrizione	Description
1	DW15105/C	MANOPOLA TERMOSTATO 0-300¶øC	THERMOSTAT KNOB 0-300¶øC
2	DW3009104	PIEG. SQ. TERMOSTATI PER ASCIUGATUR (N)	DRYER THEMOSTATS SUPPORT
3	DW10707/3	TERMOSTATO TR2 0-280¶ø C/ALB	THERMOSTAT TR2 0-280¶ø C/ALB
4	DW3009674	#FASCIAME CARTER ASCIUGATURA 6KW 04	CARTER PLATING DRYER 6KW 04
5	DW2000359	RESIST.2000/2180W 230/240V 1	2000/2180W 230/240V 1 HEATING ELEM.
6	DW3000300	#MOTOVENT. VMN 552 0,55KW 230/400 50HZ	CENTRIFUGAL FAN 0,55 KW 230/400V 50HZ
7	DW3009675	#FIANCO CARTER ASCIU.6KW 04(FORI)	SIDE CARTER SUP. TR99
8	DW3009676	#FIANCO CARTER ASCIU.6KW 04(CIECO)	
9	DW3000159	#CUFFIA PER RESIS.PICCOLA	CASING FOR HEATING ELEMENT

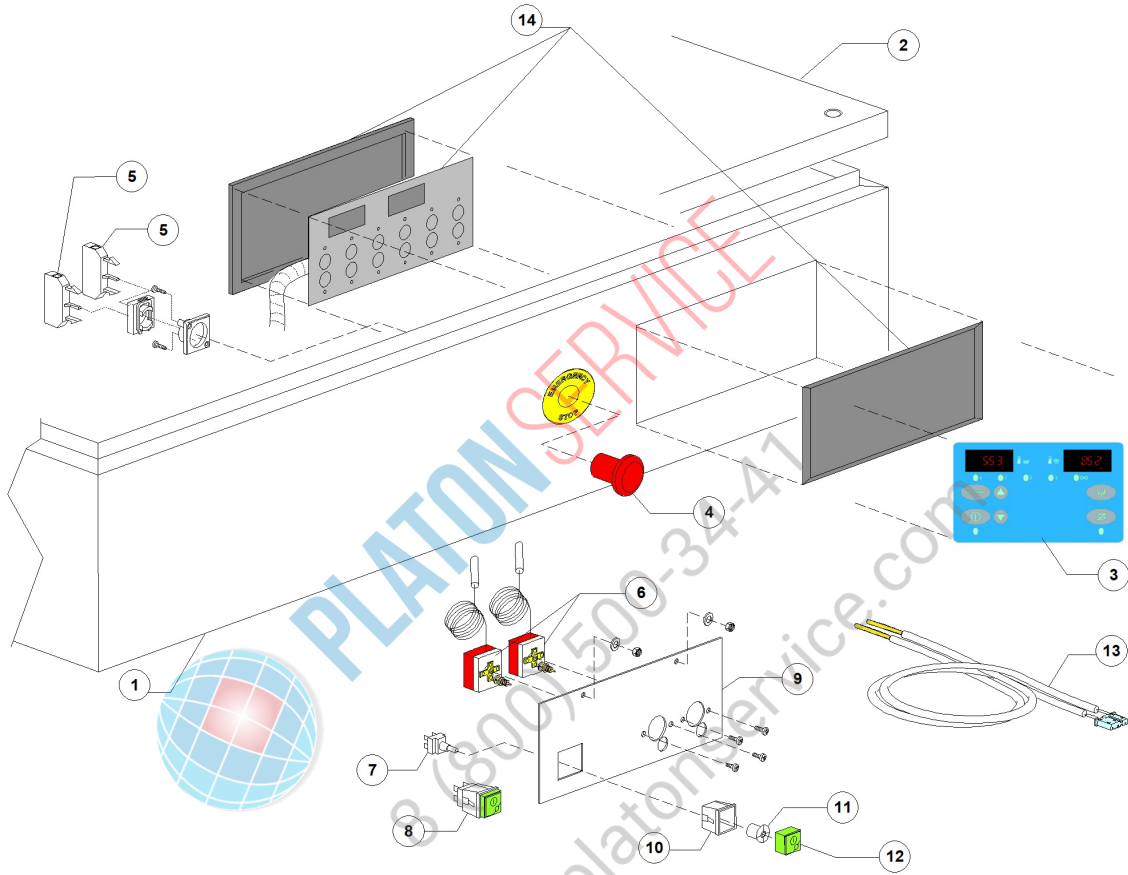


PLATON SERVICE

8 (800) 500-34-41

www.platonservice.com

AX161 EL SX XP LC70 LC71 400V3N50HZ - DWF1019792 - Control panel and switches - DW091

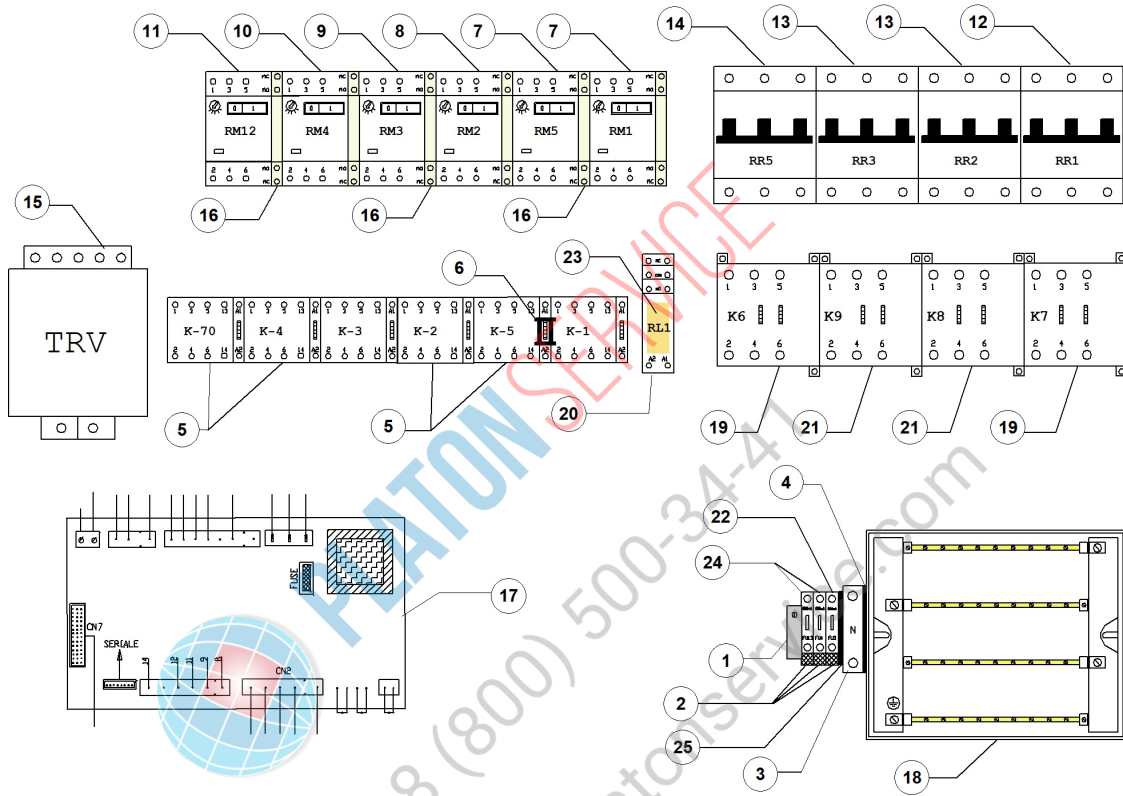


AX161 EL SX XP LC70 LC71 400V3N50HZ - DWF1019792 - Control panel and switches - DW091

Pos.	Code	Descrizione	Description
1	DW391072	#ASSIEME QUADRO ELETTRICO TYPE 91	ELECTRICAL PANEL
2	DW391075	#COPERCHIO QUADRO TYPE 91	ELECTRICAL PANEL COVER
3	DW391013	#MOSTRINA DIHR TYPE 91-92-NV	CONTROL OVERLAY
4	DW3002050	PULS.FUNGO D.35 OP.SBLOC.ROT. 30A3	EMERGENCY BUTTON
5	DW3002056	CONTATTO 1NC RET. 31A5	CONTACT 1NC
6	DW2000430	TERMOSTATO DI SICUR. 110 1500PVC	SAFETY THERMOSTAT 110 1500PVC
7	DW15811	FRUTTO DEVIATORE BIPOLARE 16A	16A BIPOLAR SWITCH
8	DW15865	DEV B 0/1 (Q6V) SG	SQUARED GREEN SWITCH
9	DW391010	STAFFA PORTA TERMOSTATI TYPE 91-92	THERMOSTAT SUPPORT
10	DW15815	SUPPORTO QUADRO SQ1 SINGOLO GRIGIO	SQUARE GREY SINGLE SUPPORT SQ1
11	DW15824	CAMMA VERDE-ARANCIO	GREEN-ORANGE CAM ROLL
12	DW15874	TASTO Q6 VERDE SERIG.ON-OFF	GREEN ON/OFF KEY Q6
13	DW392047/A	#SONDA VASCA+BOILER TYPE 91-92 3,5 MT	BOILER AND TANK THERMOSTAT PROBE
14	DW50570/H	#TAST.MEMB. TYPE 91-92	COMPLET MEMBRANE KEY-DRIVER



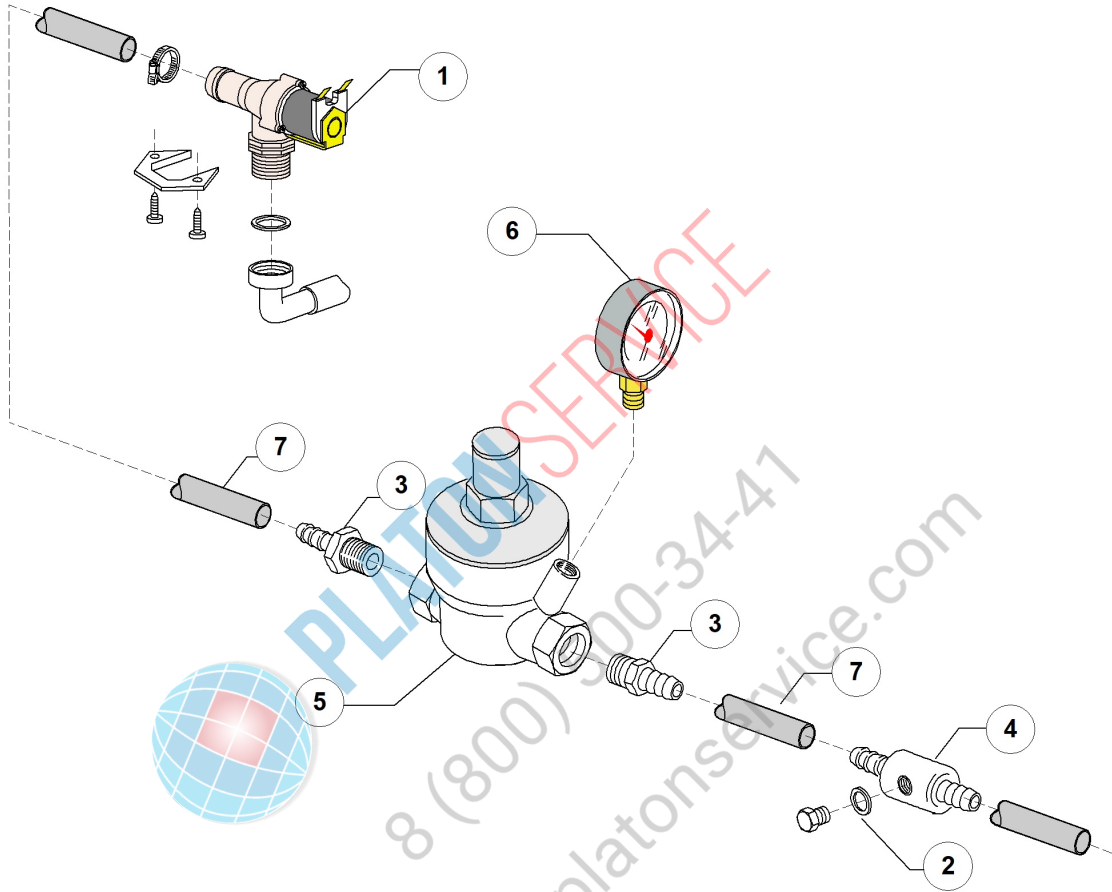
PLATON SERVICE
8 (800) 500-34-41
www.platonservice.com



AX161 EL SX XP LC70 LC71 400V3N50HZ - DWF1019792 - Electric control components - DW091

Pos.	Code	Descrizione	Description
1	DW3006093	FERMO PER GUIDA DIN	DIN RAIL RETAINER
2	DW3006147	MORSETTO PORTAFUSIBILI 5x20 (5x25)	FUSE CARRIER
3	DW3006155	MORSETTO NEUTRO 16mmq BLU	TERMINAL 16mmq BLEU
4	DW3006084	PIASTRINA CHIUSURA X MORSETTI 16mmq	TERMINAL RK35 END PLATE
5	DW2000370	TELERUTTORE 9A/16A 24V 50/60Hz	CONTACTOR 9A/16A 24V 50/60Hz
6	DW3006153	INTERBLOCCO MECC. X TELERUT.2000370	MECHANICAL INTERLOCK
7	DW2000389	INT.SALVAMOTORE MAGNETOTERM.0,63-1A	CIRCUIT BREAKER 0,63-1A
7	DW2000390	INT.SALVAMOTORE MAGNETOTERM. 1-1,6A	CIRCUIT BREAKER 1-1,6A
8	DW2000394	INT.SALVAMOTORE MAGNETOTERM.2,5-4A	CIRCUIT BREAKER 2,5-4A
9	DW2000389	INT.SALVAMOTORE MAGNETOTERM.0,63-1A	CIRCUIT BREAKER 0,63-1A
9	DW2000390	INT.SALVAMOTORE MAGNETOTERM. 1-1,6A	CIRCUIT BREAKER 1-1,6A
10	DW2000389	INT.SALVAMOTORE MAGNETOTERM.0,63-1A	CIRCUIT BREAKER 0,63-1A
10	DW2000390	INT.SALVAMOTORE MAGNETOTERM. 1-1,6A	CIRCUIT BREAKER 1-1,6A
10	DW2000394	INT.SALVAMOTORE MAGNETOTERM.2,5-4A	CIRCUIT BREAKER 2,5-4A
11	DW2000390	INT.SALVAMOTORE MAGNETOTERM. 1-1,6A	CIRCUIT BREAKER 1-1,6A
12	DW2000403	INT. MAGNETOTERMICO TRIPOLARE 20A	THREE-POLE CIRCUIT BREAKER 20A
12	DW2000404	INT. MAGNETOTERMICO TRIPOLARE 25A	THREE-POLE CIRCUIT BREAKER 25A
13	DW2000404	INT. MAGNETOTERMICO TRIPOLARE 25A	THREE-POLE CIRCUIT BREAKER 25A
14	DW2000403	INT. MAGNETOTERMICO TRIPOLARE 20A	THREE-POLE CIRCUIT BREAKER 20A
14	DW2000407	INT. MAGNETOTERMICO TRIPOLARE 16A	THREE-POLE CIRCUIT BREAKER 16A
15	DW3006060	TRASF.160VA 0-230-400-415-440/0-24V	TRANSFORMER160VA 0-230-400-415-440/0-24V
16	DW3006080	CONTATTO AUX. LMS25 11LMH11 1NA+1NC	AUXILIARY CONTACT LMS25 11LMH11 1NA-1NC
17	DW391053/A	#SCHEDA MADRE TYPE 91- 92 24V	MAIN BOARD
18	DW3006154	#MORSETTIERA AX 151 44X80X90 125A	TERMINAL BOARD
19	DW2000385	TELERUTTORE 36A/20A 24V 50/60Hz	CONTACTOR 36A/20A 24V 50/60Hz
20	DW3006079	ZOCCOLO X RELE'MODUL.2C/24V	BASE FOR RELAY 2C/24V
21	DW2000385	TELERUTTORE 36A/20A 24V 50/60Hz	CONTACTOR 36A/20A 24V 50/60Hz
23	DW3006078	RELE' MODUL. 2C/DEV. 24V	MODULAR RELAY 2C/DEV. 24V
24	DW15163	FUSIBILE 5X20 1A	5X20 1A FUSE
25	DW3006144	PIASTRINA CHIUSURA X PORTAFUSIBILE	TERMINAL STK1 END PLATE

AX161 EL SX XP LC70 LC71 400V3N50HZ - DWF1019792 - Solenoid valve group - DW091



AX161 EL SX XP LC70 LC71 400V3N50HZ - DWF1019792 - Solenoid valve group - DW091

Pos.	Code	Descrizione	Description
1	DW2000093	"ELETTROV. 3/4" - D.14 90°∅ 24V SINGOLA"	"SINGLE SOLENOID VALVE 3/4" D.14 24V 90°∅"
2	DW13309	GUARNIZIONE DIAM.10x14x1,5	GASKET D.10X14X1,5
3	DW12023	PORTAGOMMA M 1/2 diam 12 PG260	HOSE CONNECTOR 10 M1/2 PG260
4	DW3003906	#DERIV. A T ENTR. BRILL. CON TAPPO 1/8	"T-PIECE W/PLUG 1/8"
5	DW391025	RIDUT. DI PRESS. MINIBRASS 106.G	PRESSURE REDUCER
6	DW2000244	"MANOMETRO RIDUTTORE PRESS. 1/4"CONIC"	"PRESSURE REDUCTION GAUGE 1/4"
7	DW2907350	TUBO GOMMA EPDM 12X20	12X20 EPDM RUBBER PIPE

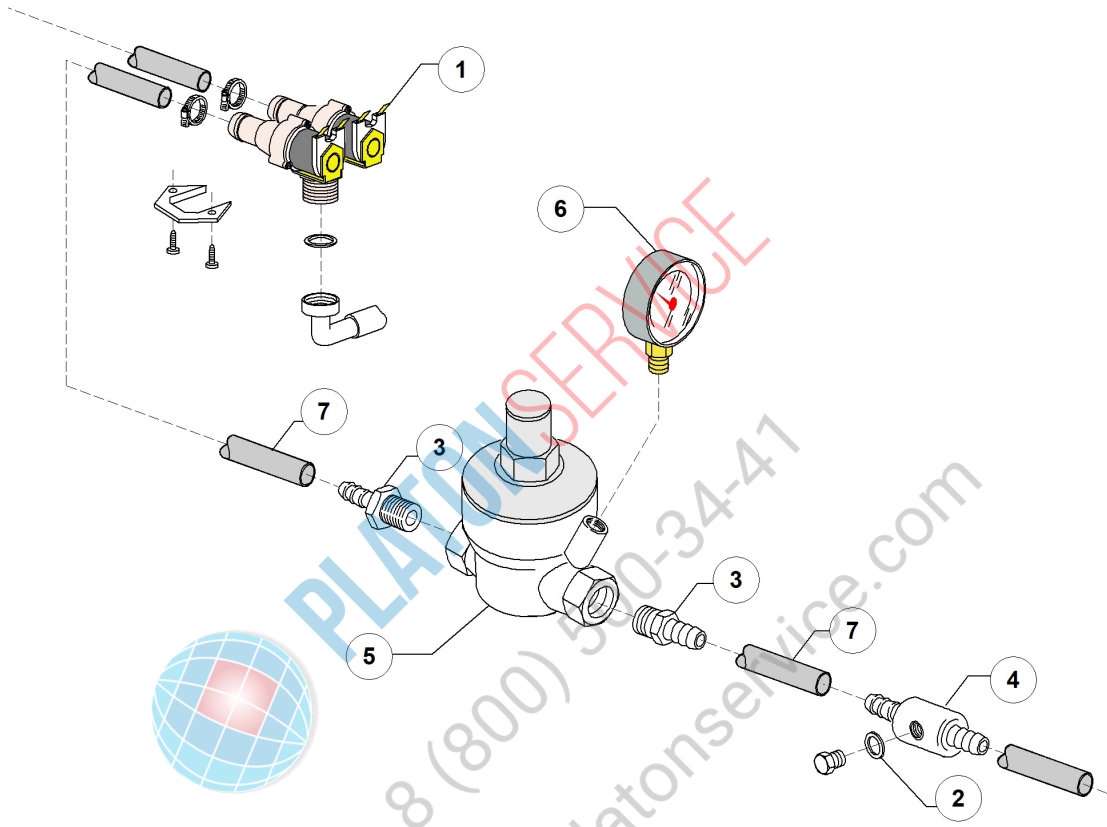


PLATON SERVICE

8 (800) 500-34-41

www.platonservice.com

AX161 EL SX XP LC70 LC71 400V3N50HZ - DWF1019792 - Solenoid valve group - DW091



AX161 EL SX XP LC70 LC71 400V3N50HZ - DWF1019792 - Solenoid valve group - DW091

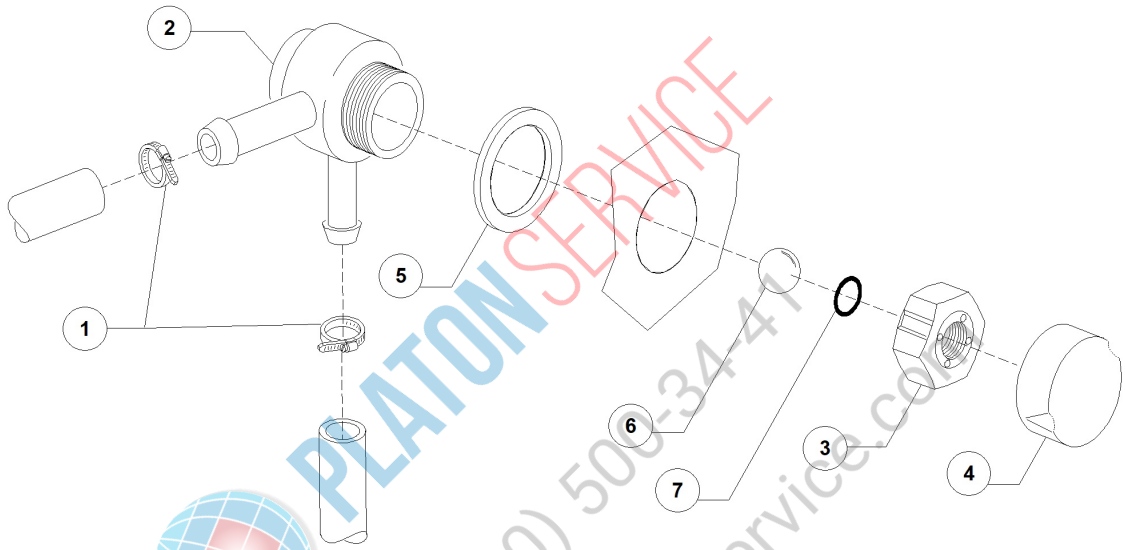
Pos.	Code	Descrizione	Description
1	DW2000094	"ELETTROV. 3/4" - D.14 90°∅ 24V DOPPIA"	"DOUBLE SOLENOID VALVE 3/4" D.14 24V 90°∅"
2	DW13309	GUARNIZIONE DIAM.10x14x1,5	GASKET D.10X14X1,5
3	DW12023	PORTAGOMMA M 1/2 diam 12 PG260	HOSE CONNECTOR 10 M1/2 PG260
4	DW3003906	#DERIV. A T ENTR. BRILL. CON TAPPO 1/8	"T-PIECE W/PLUG 1/8"
5	DW391025	RIDUT. DI PRESS. MINIBRASS 106.G	PRESSURE REDUCER
6	DW2000244	"MANOMETRO RIDUTTORE PRESS. 1/4"CONIC"	"PRESSURE REDUCTION GAUGE 1/4"
7	DW2907350	TUBO GOMMA EPDM 12X20	12X20 EPDM RUBBER PIPE



PLATON SERVICE

8 (800) 500-34-47

www.platonservice.com



PLATON SERVICE
8 (800) 505-3441

www.platonservice.com

AX161 EL SX XP LC70 LC71 400V3N50HZ - DWF1019792 - DVGW valve - DW091

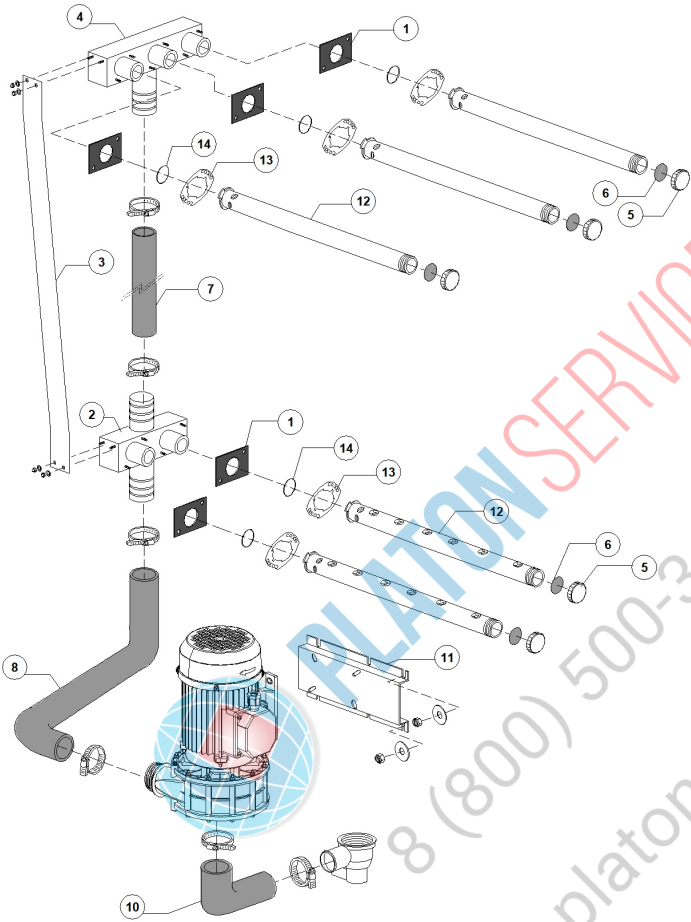
Pos.	Code	Descrizione	Description
1	DW11807	FASCETTE AISI 430 12/22	CLAMP 12/22 AISI 430
2	DW15280	CORPO CENTRALE VALVOLA DVGW 07	DRAIN VALVE CENTER BODY
3	DW15281	DADO VALVOLA DVGW 07	VALVE NUT
4	DW15282	COPRI DADO VALVOLA DVGW 07	VALVE NUT COVER
6	DW15284	"SFERA 5/8" VALVOLA DVGW 07"	"5/8" BALL FOR DVGW VALVE 07"



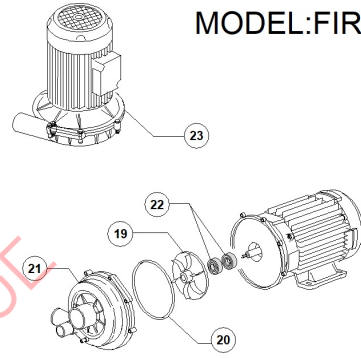
PLATON SERVICE

8 (800) 500-34-41

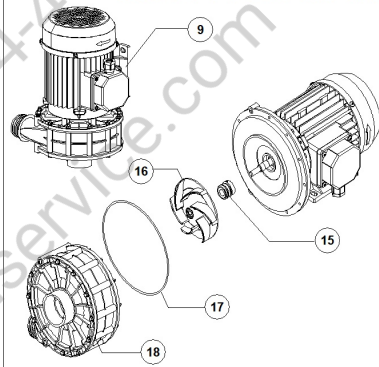
www.platonservice.com



MODEL:FIR



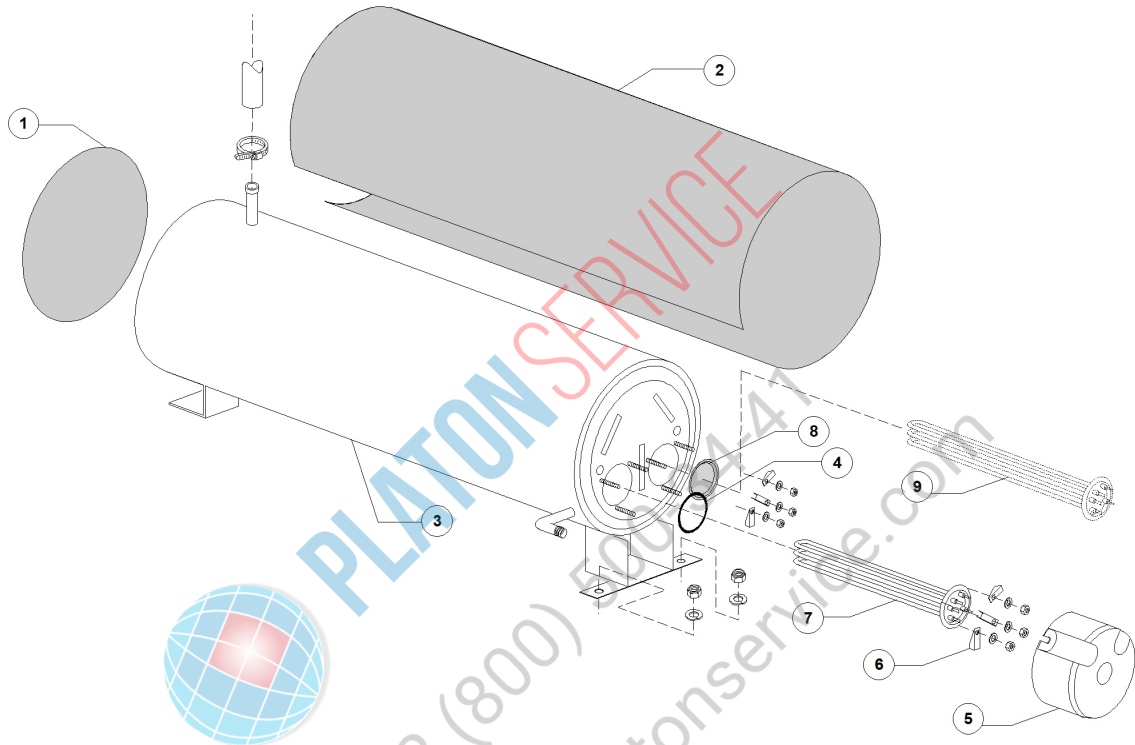
MODEL:OLYMPIA



PLATON SERVICE
8 (800) 500-34-41
www.platonservice.com

AX161 EL SX XP LC70 LC71 400V3N50HZ - DWF1019792 - Wash pump group - DW091

Pos.	Code	Descrizione	Description
1	DW391029	GUARNIZIONE DISTRIBUTORE TYPE 91-92	SPRAY ARMS RACK/RISER GASKET
2	DW391028	GRUPPO LAVAGGIO INF 2BRACCI TYPE 91-92	2 ARMS LOWER WASH ASSEMBLY TYPE 91/92
3	DW391042	PIATTO RINF. DISTRIB. LAV. TYPE 91-92	WATER FLOW BACK REINFORCEMENT
4	DW391027	GRUPPO LAVAGGIO SUP 3BRACCI TYPE 91-92	3 ARMS UPPER WASH ASSEMBLY TYPE 91/92
5	DW80304	TAPPO PER UGELLO TERMINALE GRIGIO	GREY WASH ARM PLUG
6	DW80305	GUARNIZIONE PER TAPPO TUBO GIRANTE	ARM PLUG GASKET
7	DW3060212	MANICOTTO RADIO D42	PIPE COUPLING D.42
8	DW391026	MANICOTTO MANDATA LAV TYPE 91	WASH DELIVERY PIPE COUPLING
9	DW22037	POMPA HP2.0 220-240/380-415 50Hz	PUMP HP2.0 220-240/380-415V3/50HZ
10	DW11600100	MANICOTTO ASPIRAZIONE G12/03	SUCTION PIPE COUPLING
11	DW11600623	STAFFA SUPPORTO POMPA G12	PUMP SUPPORT G12
12	DW391031	BRACCIO LAVAGGIO TYPE 91-92	WASH ARM TYPE 91/92
13	DW3060182	CAMMA AGGANCIAMENTO BAIONETTA NASTRO	ARM CONNECTION FLANGE
14	DW392050	GUA.OR 3X31 NBR 70SH RIF. 0310	O RING 3X31 NBR 70SH RIF. 0310
15	DW15080	PREMISTOPA+CONTROFACCIA	ROTATING SEALS
16	DW22045/O	#GIRANTE POMPA 2HP MEC80.T200SX(OLYMPIA)	PUMP ROTOR (PUMP 2HP)
17	DW10200290/O	#GUARN.OR POMPA MEC80.T200SX(OLYMPIA)	GUARN.OR POMPA MEC80.T200SX(OLYMPIA)
18	DW10200222/O	#KIT CHIOCCIOLA POMPA MEC80.T200SX(OLYMP)	SCROLL
19	DW22045	#GIRANTE POMPA HP2 MOD.1226	PUMP ROTOR (PUMP 2HP)
20	DW10200290	#GUARNIZIONE OR POMPA 1225	OR 1225 GASKET
21	DW10200222	#COPERCHIO POMPA 1225+1226	SCROLL
22	DW15080	PREMISTOPA+CONTROFACCIA	ROTATING SEALS
23	DW22037	POMPA HP2.0 220-240/380-415 50Hz	PUMP HP2.0 220-240/380-415V3/50HZ



AX161 EL SX XP LC70 LC71 400V3N50HZ - DWF1019792 - Boiler group - DW091

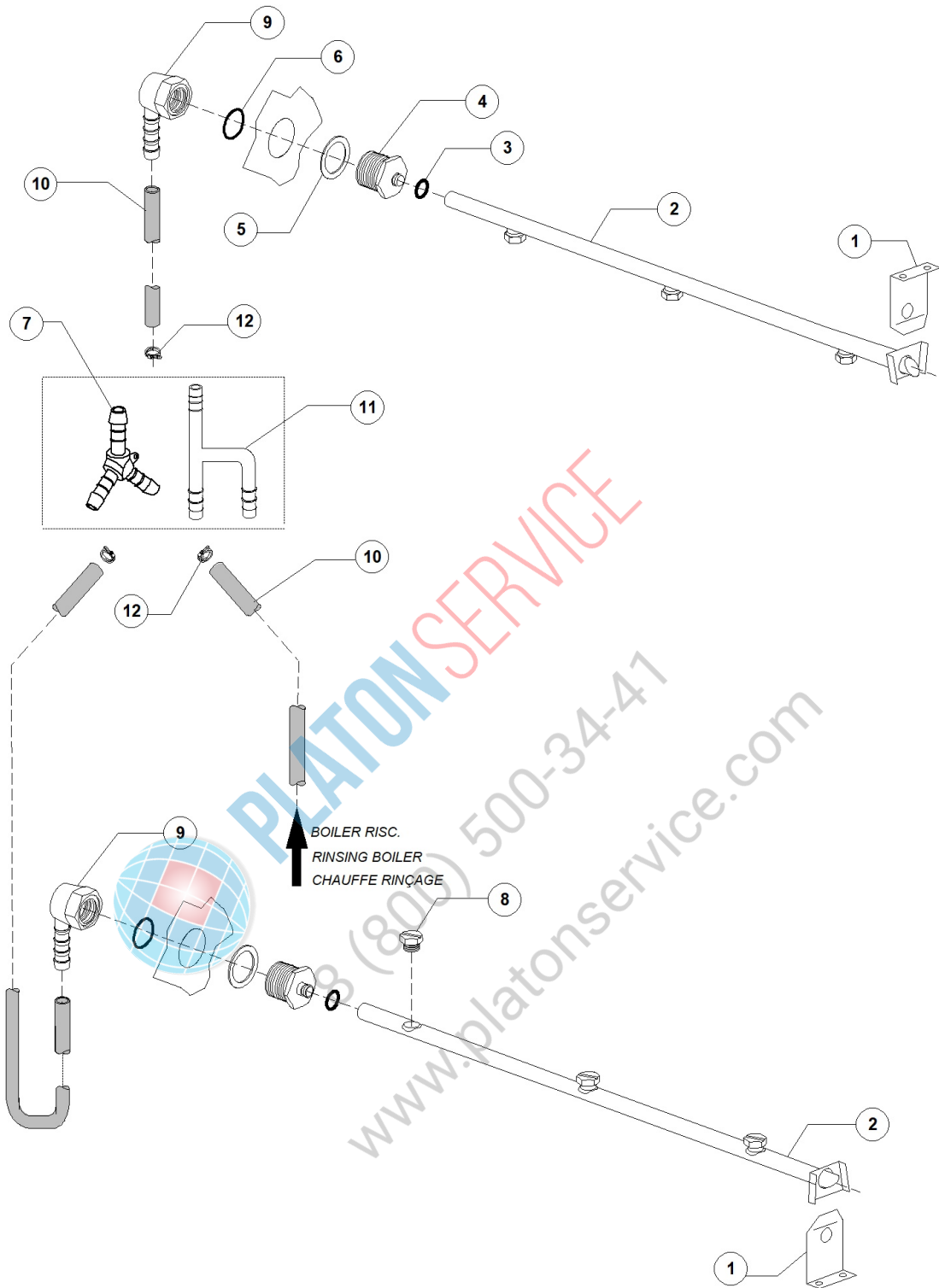
Pos.	Code	Descrizione	Description
1	DW392006	DISCO IN ESPANS. D242 BOILER TYPE 92	INSULATING DISK D.242
2	DW392005	COIBENTAZIONE BOILER 2 RES TYPE 92	BOILER INSULATING TYPE92
3	DW392004	BOILER 2 RES TYPE 92 (AISI 304)	BOILER 2 H.E. TYPE 92 (AISI 304)
4	DW13015	GUARNIZIONE 6225 OR 160 NBR	6225 O-RING 160 NBR
5	DW75311	CUFFIOTTO PER RESISTENZA 26/03/97	HEATING ELEMENT COVER
6	DW16045	STAFFE FISSAGGIO RESIST.FORO 6.3	HEATING ELEMENT MOUNTING BRACKET D.6,3
7	DW30001011	RESIST.9000/9800W 230/240V 3	9000/9800W 230/240V 3 HEATING ELEM.
7	DW30001011/A	RESIST.12000/13070W 230/240V 3	12000/13070W 230/240V 3 HEATING ELEM.
9	DW30001011	RESIST.9000/9800W 230/240V 3	9000/9800W 230/240V 3 HEATING ELEM.
9	DW30001011/A	RESIST.12000/13070W 230/240V 3	12000/13070W 230/240V 3 HEATING ELEM.



PLATON SERVICE

8 (800) 500-34-41

www.platonservice.com



AX161 EL SX XP LC70 LC71 400V3N50HZ - DWF1019792 - Rinsing components - DW091

Pos.	Code	Descrizione	Description
1	DW3003905	STAFFA SUPPORTO BRACCIO RISC.TRAINETTO	RINSE ARM SUPPORT
2	DW391033	BRACCIO RISCACQUO TYPE 91-92	RINSE ARM TYPE 91/92
3	DW391032	GUARNIZIONE OR RIF. 108 NBR D21.78 F12	O-RING NBR D.21.78 F12
4	DW3003127	INNESTO G3/8-DIAM.12 BRACCI RISCACQUO	"COUPLING G 3/8" D.12"
5	DW3009387	RONDELLA GOMITO CARICO	LOADING ELBOW WASHER
6	DW3003130	GUARNIZIONE OR 123 NBR	O-RING 123 NBR
7	DW540091	DERIV. 3VIE Y D12 PLASTICA	PLASTIC Y-PIECE D.12
8	DW391034	UGELLO INOX RISCACQUO 0,7 L/M 90°	S/S RINSE NOZZLE 0,7 L/M 90°
9	DW3003129	GOMITO PORTAGOMMA 12 - G3/8	ELBOW HOSE-CONNECTION 12 G3/8
10	DW2907350	TUBO GOMMA EPDM 12X20	12X20 EPDM RUBBER PIPE
12	DW11807	FASCETTE AISI 430 12/22	CLAMP 12/22 AISI 430

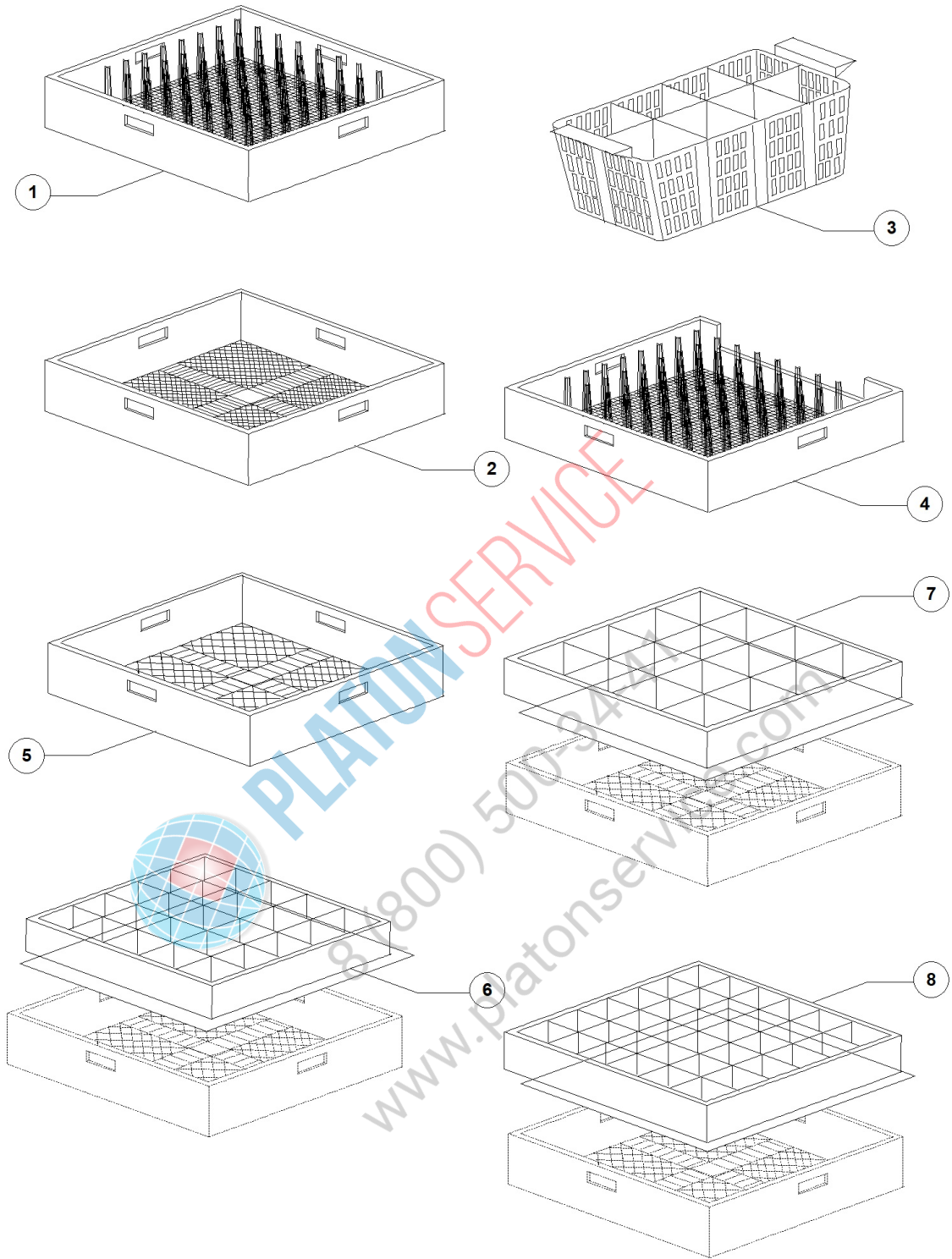


PLATON SERVICE

8 (800) 500-34-41

www.platonservice.com

AX161 EL SX XP LC70 LC71 400V3N50HZ - DWF1019792 - Baskets (Optional) - DW091



AX161 EL SX XP LC70 LC71 400V3N50HZ - DWF1019792 - Baskets (Optional) - DW091

Pos.	Code	Descrizione	Description
1	DWC40	CESTO PIATTI PLASTICA 50X50	PLASTIC PLATES BASKET 500X500
2	DWC41	CESTO POSATE MAG.STRETTA PLASTICA	CUTLERY BASKET - TIGHT MESH (PLASTIC)
3	DWC47	CESTELLO POSATE 8 POSTI	CUTLERY BASKET 8 PLACES
4	DWC43	CESTO TRAINO VASSOI (LATO APERTO)	TRAYS BASKET (ONE SIDE OPEN)
5	DWC44	CESTO BICCHIERI MAGL.LARGA PLASTICA	500X500 LARGE MESH GLASS BASKET
6	DWC112	SEPAR 25P. PER CESTO TRAINO	GLASSES PARTITION 25 PLACES (D.87 MAX)
7	DWC113	SEPAR 16P PER CESTO TRAINO	GLASSES PARTITION 16 PLACES (D.110 MAX)
8	DWC114	SEPAR 36P PER CESTO TRAINO	GLASSES PARTITION 36 PLACES (D.72 MAX)

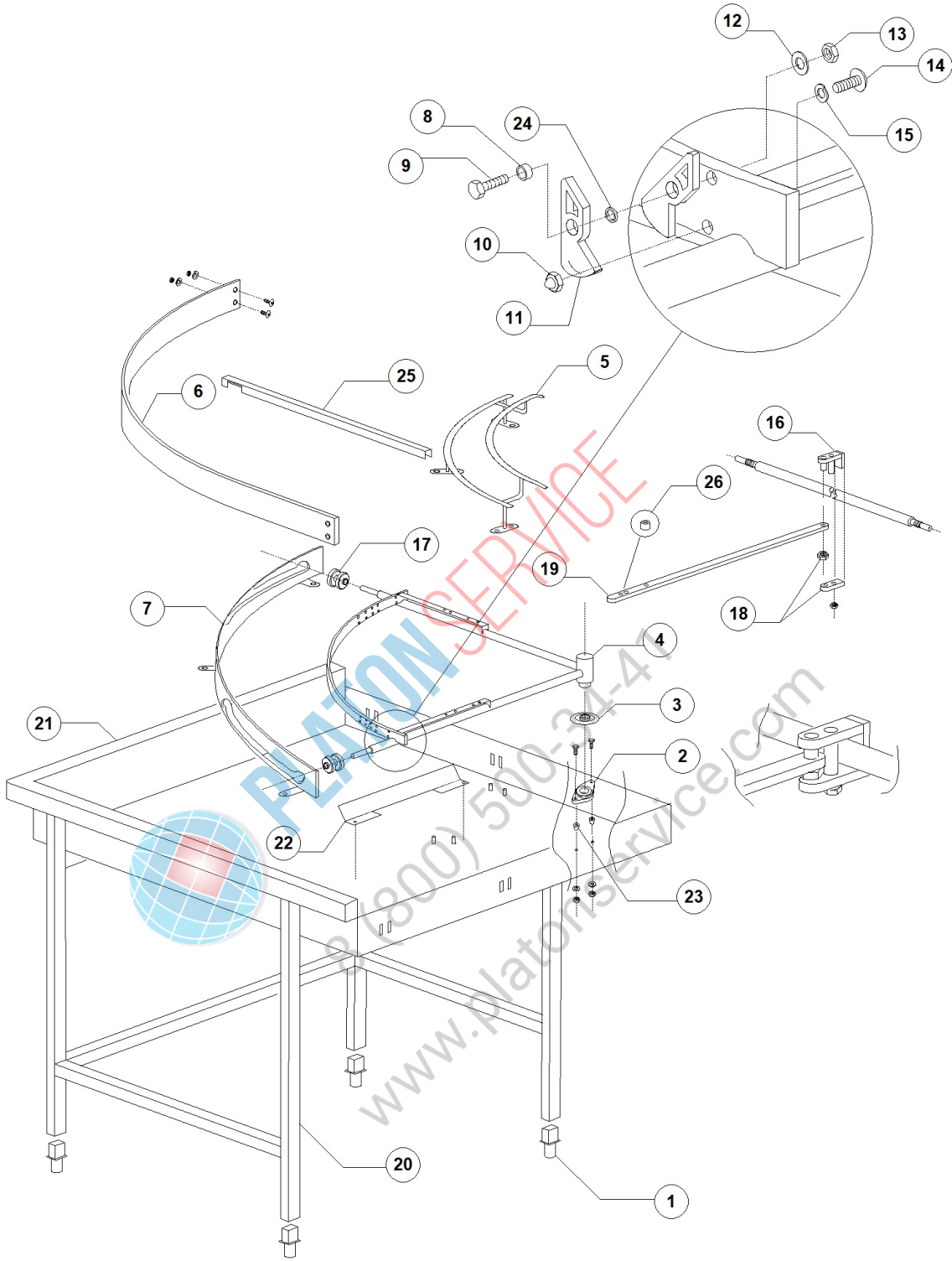


PLATON SERVICE

8 (800) 500-34-41

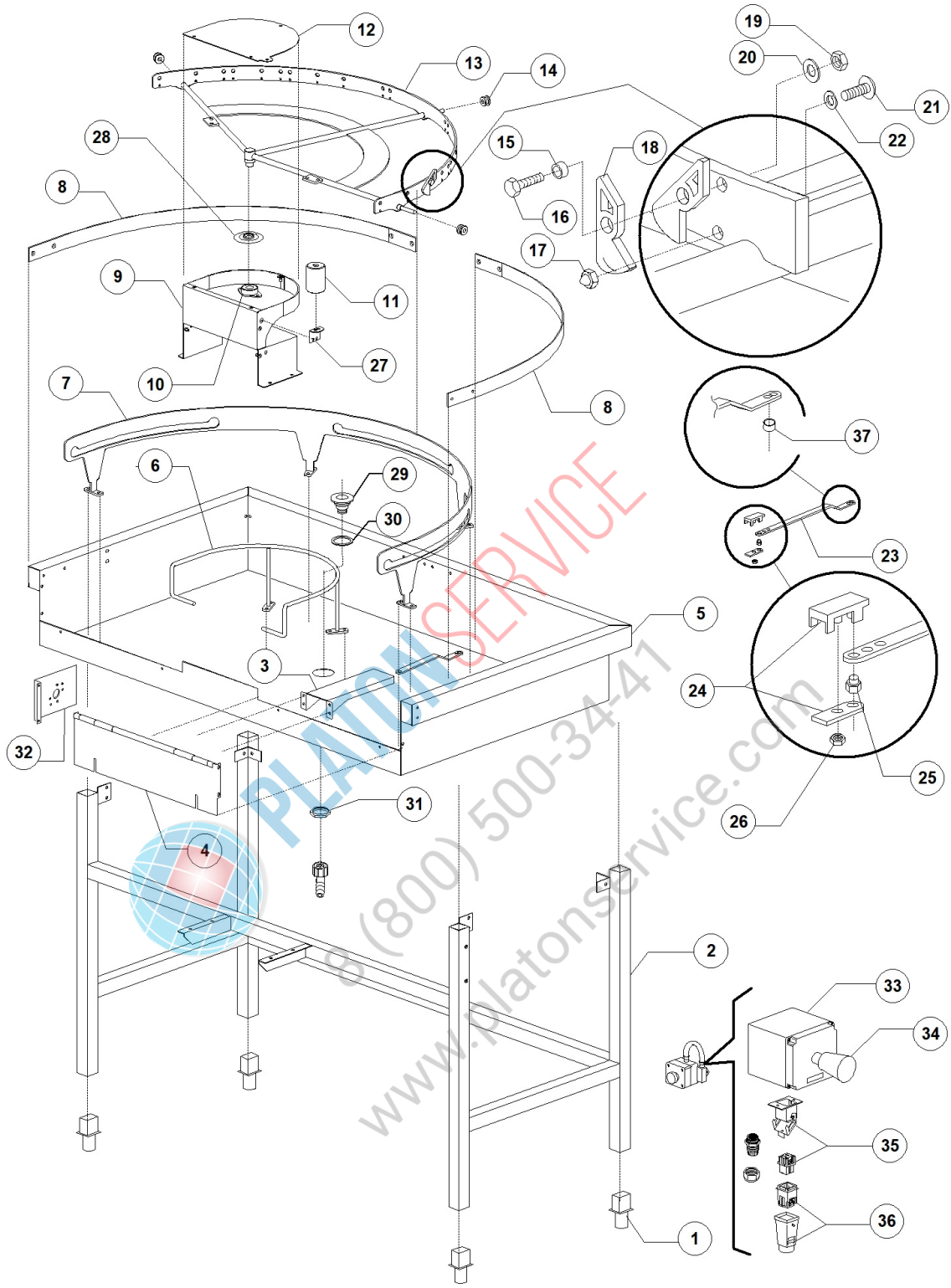
www.platonservice.com

AX161 EL SX XP LC70 LC71 400V3N50HZ - DWF1019792 - 90° mechanized curve - DW091



AX161 EL SX XP LC70 LC71 400V3N50HZ - DWF1019792 - 90° mechanized curve - DW091

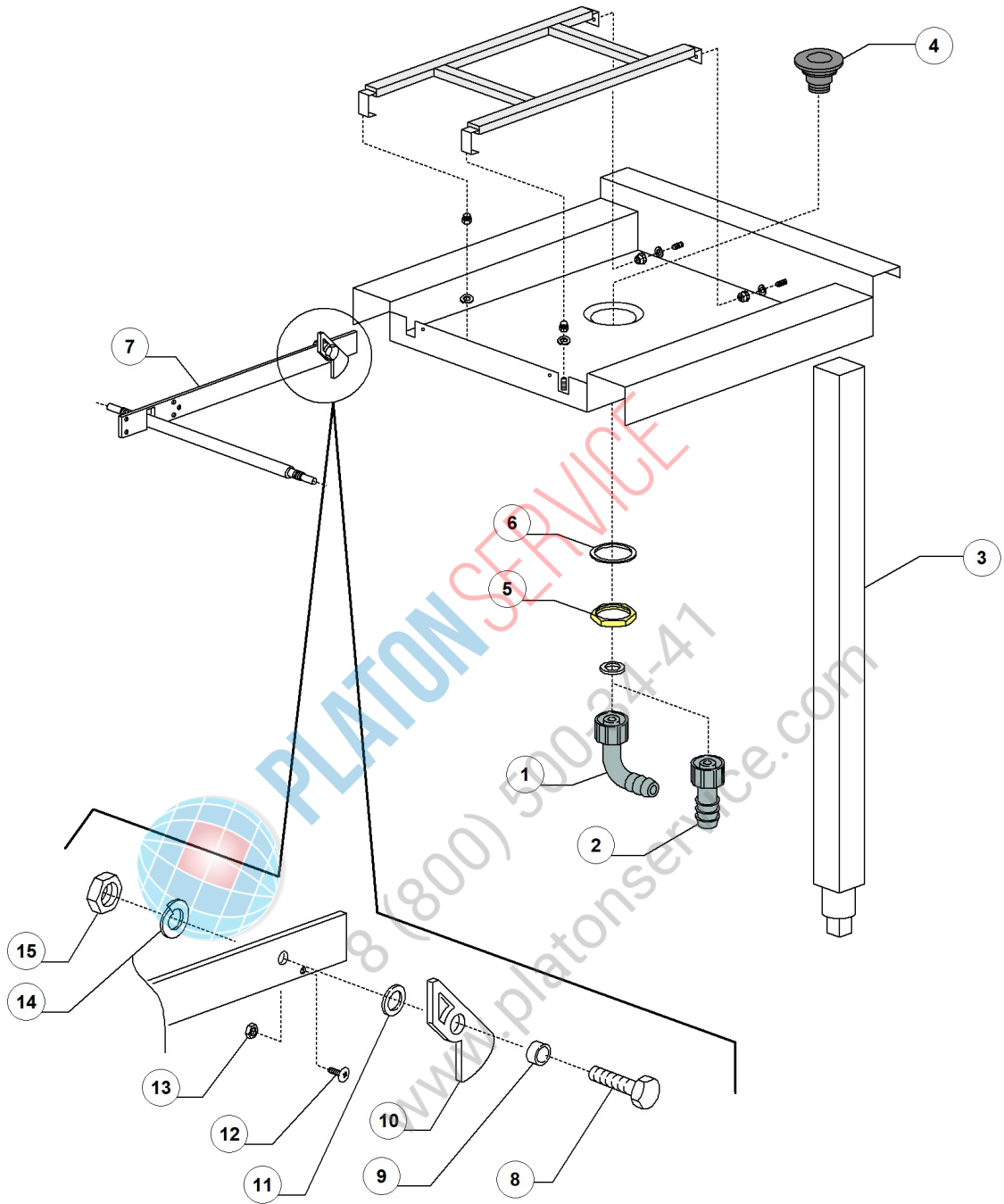
Pos.	Code	Descrizione	Description
1	DW3000252	"PIEDINO INOX 1" PER TUBO 40X40X1"	"S/S 1" FOOT"
2	DW3000260	SUPP.FLANGIATO CATENA CURVA SFT20	FLANGE FOR CHAIN
3	DW3004161	DISCO ANTIGOCCIA PER ASSE MOTORIDUT	MOTOR GEAR SHAFT PROTECTION DISK
4	DW3063006	TRASPORTO CENTRALE C.MECC.90°	MECHANIZED ARC CENTRAL TRANSPORT 90°
5	DW3063002	TONDINO PORTACESTO INTERNO C.MECC. 90°	MECHANIZED ARC INNER SUPPORT BASKET 90°
6	DW3063003	GUIDACESTO EST. C.MECC. 90°	EXTERNAL MECH.ARC BASKET GUIDE 90°
7	DW3063005	PIATTO CALANDRATO C.MECC. 90°	MECHANIZED ARC 90° CENTRAL GUIDE ASSEM
8	DW3003060	DISTANZ. PER ARPIONE SU TAV. E CURVE MEC	PAWL SPACER
9	DW11128	VITE INOX M10X25 TE DIN933	M10X25 TE S/S SCREW
10	DW11707	DADO M5 CIECO CALOTTA SEMISF. A2 DIN1587	S/S CAP NUT M5 DIN1587
11	DW3063009	ARPIONE INOX C. MECC.	MECHANIZED ARC S/S PAWL
12	DW11192	RONDELLA GROWER M10 INOX DIN 127B	M10 S/S GROWER WASHER DIN127B
13	DW11719	DADO M10 INOX DIN 934	S/S NUT M10 DIN934
14	DW11197	VITE M5X10 TCB INOX DIN 7985	M5X10 TCB S/S SCREW DIN7985
15	DW11608	RONDELLA GROWER M5 INOX UNI1751 DIN127	M5 S/S GROWER WASHER UNI1751 DIN127
16	DW3063008	AGGANCIO ASSE MACCHINA	MACHINE AXLE COUPLING
17	DW3063007	RUOTA C.MECC. 90°	WHEEL FOR MECHANIZED ARC 90°
18	DW3063010	CONTRODADO AGG. ASSE CARELLO CUR. MECC.	AXLE MACHINE COUPLING LOCK NUT
19	DW3063004	BIELLA CONN. MACCHINA C.MECC. 90°	CONNECTION ROD FOR MECHANIZED ARC 90°
20	DW3063001	TELAIO CURVA MECCANIZZATA 90°	
21	DW3063000	PIANALE CURVA MECCANIZZATA 90°	MECHANIZED ARC 90° SURFACE
22	DW391080	SPONDINA RICIRC. ARIA ASCIUG. TYPE 91-92	S/S FLAP FOR AIR CIRCULATION
23	DW10600206	OGIVA IN NYLON D.8	SEAL WASHER D.8 NYLON
24	DW3003024	RONDELLA CARRELLO 19X12X1 PTFE	WASHER 19X12X1 PTFE
25	DW3063016	PROFILO DI CHIUSURA E PROTEZIONE	CLOSING AND PROTECTION SECTION
26	DW3003158	DISTANZIALE BIELLA CURVA MECC.	MECHANIZED ARC SPACER



AX161 EL SX XP LC70 LC71 400V3N50HZ - DWF1019792 - 180° mechanized curve - DW091

Pos.	Code	Descrizione	Description
1	DW3000252	"PIEDINO INOX 1" PER TUBO 40X40X1"	"S/S 1" FOOT"
2	DW3003133	TELAIO CURVA MECCANIZZATA 180°	
3	DW3009717	CARTER DI PROTEZIONE	
4	DW3009718	SPONDINA. AGG. CURVA MEC. 180°	
5	DW3009714	VASCA PER CURVA MECCANIZZATA 180°	
6	DW3063011	ASS. TONDO GUIDACESTO C.MECC. 180°	
7	DW3063013	ASS. GUIDA TRASPORTO CENTRALE C.MEC.180°	
8	DW3063014	GUIDACESTO EST. C.MECC. 180°	
9	DW3009713	OMEGA SUPPORTO CON GUIDACESTO	
10	DW3000260	SUPP.FLANGIATO CATENA CURVA SFT20	FLANGE FOR CHAIN
11	DW3000262	RULLO A SBALZO D.50X80 M8X25	50X80 EMBOSSEMENT ROLLER
12	DW3009715	COPERCHIO PER OMEGA SU CURVA MEC. 180°	
13	DW3063012	ASSIEME TRASPORTO CENTRALE C.MECC.180°	MECHANIZED ARC 180° CENTRAL ASSEMBLY
14	DW3063007	RUOTA C.MECC. 90°	WHEEL FOR MECHANIZED ARC 90°
15	DW3003025	BOCCOLA DIST. CARRELLO 11,7X10X6 IN	SPACER FOR CARRIAGE 11,7X10X6
16	DW11109	VITE INOX M10x20 TE DIN933	M10X20 TE S/S SCREW DIN933
17	DW11707	DADO M5 CIECO CALOTTA SEMISF. A2 DIN1587	S/S CAP NUT M5 DIN1587
18	DW3063009	ARPIONE INOX C. MECC.	MECHANIZED ARC S/S PAWL
19	DW11179	RONDELLA 10X40 PIANA ZINCATA DIN9021	10X40 ZINC PLATED PLAIN WASHER
20	DW11192	RONDELLA GROWER M10 INOX DIN 127B	M10 S/S GROWER WASHER DIN127B
21	DW11197	VITE M5X10 TCB INOX DIN 7985	M5X10 TCB S/S SCREW DIN7985
22	DW11608	RONDELLA GROWER M5 INOX UNI1751 DIN127	M5 S/S GROWER WASHER UNI1751 DIN127
23	DW3063015	BIELLA CONN. MACCHINA C.MECC. 180°	CONNECTION ROD FOR MECHANIZED ARC 180°
24	DW3063008	AGGANCIO ASSE MACCHINA	MACHINE AXLE COUPLING
25	DW3063010	CONTRODADO AGG. ASSE CARELLO CUR. MECC.	AXLE MACHINE COUPLING LOCK NUT
26	DW11718	DADO M8 AUTOBLOCCANTE INOX DIN 982	S/S SELF-LOCKING NUT M8 DIN982
27	DW3009716	SQUADRETTA DI RINFORZO A L	
28	DW3004161	DISCO ANTIGOCCIA PER ASSE MOTORIDUT	MOTOR GEAR SHAFT PROTECTION DISK
29	DW10200113	PILETTA SCARICO	FLOOR DRAIN
30	DW10200173/A	GUARNIZIONE 75X58X3	75X58X3 GASKET
31	DW10200114	DADO PILETTA G2 ESA-75	FLOOR DRAIN NUT
32	DW3009393	SUPPORTO PULSANTE EMERGENZA	
33	DW3000264	SCATOLA IP55 PER EMERGENZA CURVA	ARC EMERGENCY BOX IP55
34	DW3000263	#PUL.EMER.CURVA N.V. 3002050+3002056+AG)	EMERGENCY SWITCH
34	DW3002050	PULS.FUNGO D.35 OP.SBLOC.ROT. 30A3	EMERGENCY BUTTON
35	DW3000266	FRUTTO MASCHIO 5 POLI	.
36	DW3000267	FRUTTO FEMMINA 5 POLI	.
37	DW3003158	DISTANZIALE BIELLA CURVA MECC.	MECHANIZED ARC SPACER

AX161 EL SX XP LC70 LC71 400V3N50HZ - DWF1019792 - Angle loading table - DW091



AX161 EL SX XP LC70 LC71 400V3N50HZ - DWF1019792 - Angle loading table - DW091

Pos.	Code	Descrizione	Description
1	DW15613	"GOMITO NYLON SCARICO 1"1/4X32"	"DRAIN ELBOW 1" 1/4X32"
2	DW15613/A	"PORTAGOMM.SCARICO 1"1/4X32 DRITTO"	"STRAIGHT HOSE CONNECTOR 1"1/4X32"
3	DW3009608	#ASS.GAMBA PER LC98	LEG ASSEMBLY
4	DW10200113	PILETTA SCARICO	FLOOR DRAIN
5	DW10200114	DADO PILETTA G2 ESA-75	FLOOR DRAIN NUT
6	DW10200173	GUARNIZIONE 75X58X2	75X58X2 GASKET
7	DW3003071	SUPPORTO ARPIONE TAV. ANG. 35X6X450	ANGLE TABLE PAWL SUPPORT
7	DW3003071/A	SUPP. MAGG. ARPIONE TAV. ANG. 35X6X600	
8	DW11128	VITE INOX M10X25 TE DIN933	M10X25 TE S/S SCREW
9	DW3003060	DISTANZ. PER ARPIONE SU TAV. E CURVE MEC	PAWL SPACER
10	DW3063009	ARPIONE INOX C. MECC.	MECHANIZED ARC S/S PAWL
11	DW3003024	RONDELLA CARRELLO 19X12X1 PTFE	WASHER 19X12X1 PTFE
12	DW11197	VITE M5X10 TCB INOX DIN 7985	M5X10 TCB S/S SCREW DIN7985
13	DW11707	DADO M5 CIECO CALOTTA SEMISF. A2 DIN1587	S/S CAP NUT M5 DIN1587
14	DW11192	RONDELLA GROWER M10 INOX DIN 127B	M10 S/S GROWER WASHER DIN127B
15	DW11719	DADO M10 INOX DIN 934	S/S NUT M10 DIN934



PLATON SERVICE
 8 (800) 500-34-47
 www.platonservice.com



PLATONSERVICE

8 (800) 500-34-47

www.platonservice.com

